



AyvonEnergy

Address: Linden, Chester Road , Knutsford, WA16 6LF, UK

Email: Info@AyvonEnergy.com

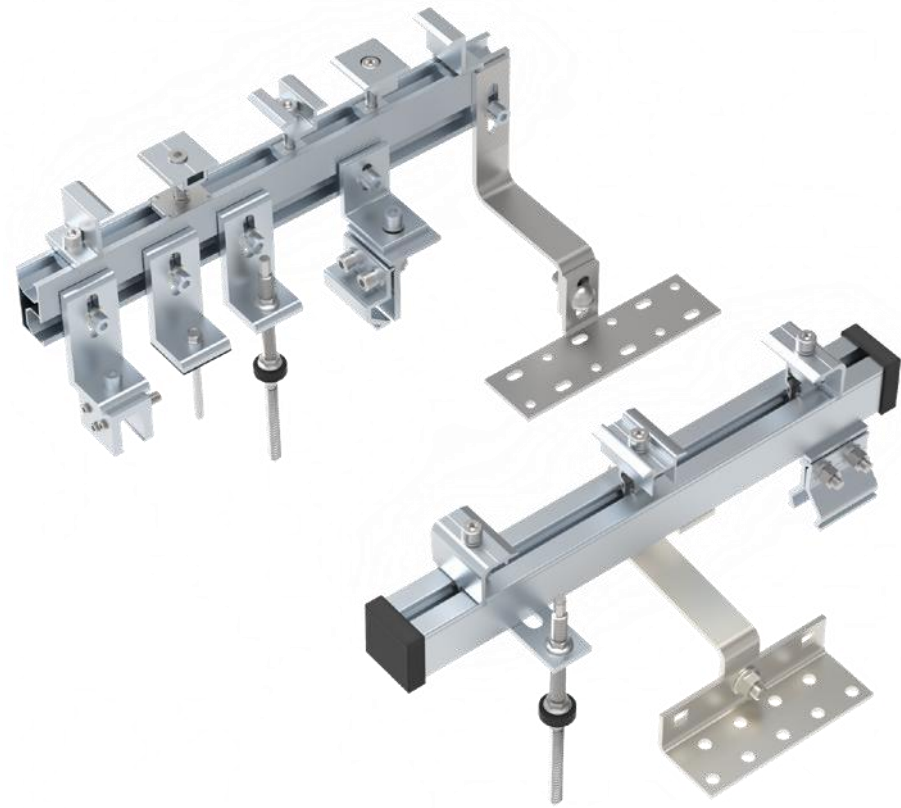


Contents

01-04	Aluminum Roof Rails
05-08	Aluminum Clamps
09-10	Grounding Clips & Cable Clips
11-11	Solar Mounting Fasteners
12-12	Solar Mounting Accessories
13-14	Trapezoidal Metal Roof Mounting
15-16	Metal Roof Mini Rails
17-20	Standing Seam Metal Roof Clamps
21-22	Pitched Tile Roof Mounting
23-23	Adjustable Roof Mounting
24-25	Single Panel Mounting Kit
26-26	Balcony Mounting Kit
27-27	F1 Ballasted Mounting System
28-28	F2 Ballasted Mounting System
29-29	F3 Ballasted Mounting System

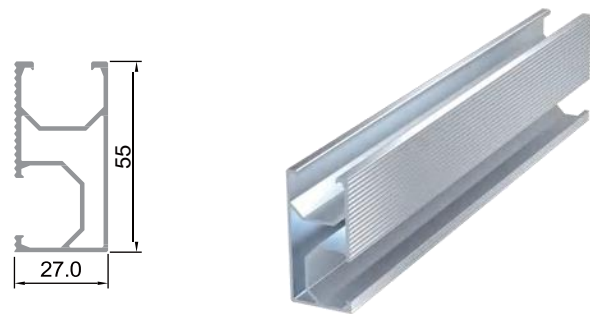
30-30	Z-Type Ballasted Mounting System
31-31	Box-Type Ballasted Mounting System
32-32	Solar Fence Mounting System
33-34	Aluminum Solar Carport
35-36	Residential Steel Solar Carport
37-38	Steel Roof/ Ground Mounting System
39-40	Aluminum Ground Mounting System
44-42	ZAM-W Steel Ground Mounting System
43-43	ZAM-H Steel Ground Mounting System
44-44	ZAM-Y Steel Ground Mounting System
45-46	Commercial Steel Solar Carport
47-48	Floating Solar Mounting System
49-50	Ground Screw
51-52	SOLAR WALKWAY SYSTEM
53-54	YANGLIN Products Reference

Aluminum Roof Rails



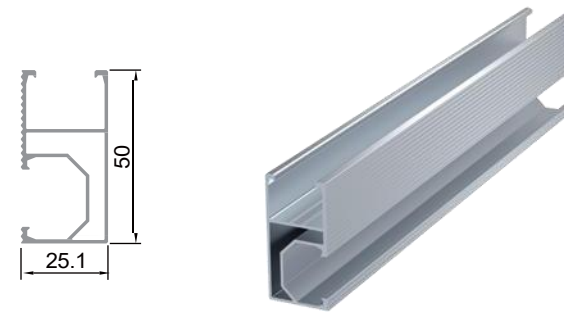
ZJ-R02 Thickness : 1.3mm
ZJ-R07 Thickness : 1.5mm
ZJ-R42 Thickness : 1.2mm

Material : AL6005-T5
 Surface Finish :
 Silver/Black anodized



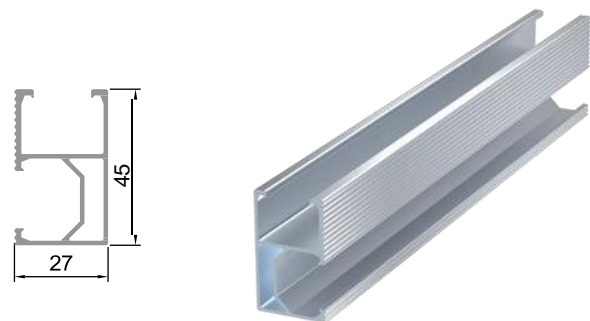
ZJ-R06 Thickness : 1.0mm
ZJ-R40 Thickness : 1.2mm

Material : AL6005-T5
 Surface Finish :
 Silver/Black anodized



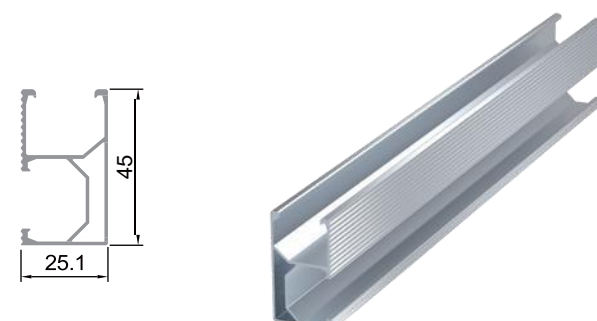
ZJ-R05 Thickness : 1.3mm
ZJ-R08 Thickness : 1.5mm

Surface Finish :
 Silver/Black anodized



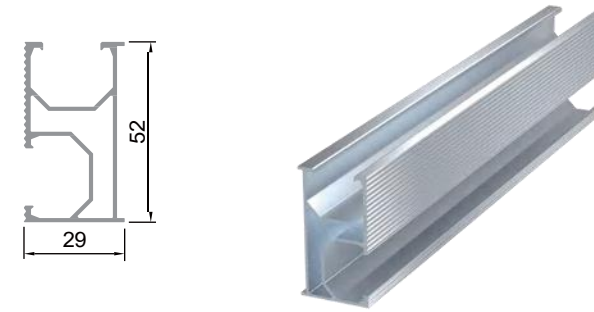
ZJ-R09 Material : AL6005-T5
 Thickness : 1.0-1.1mm

Surface Finish :
 Silver/Black anodized



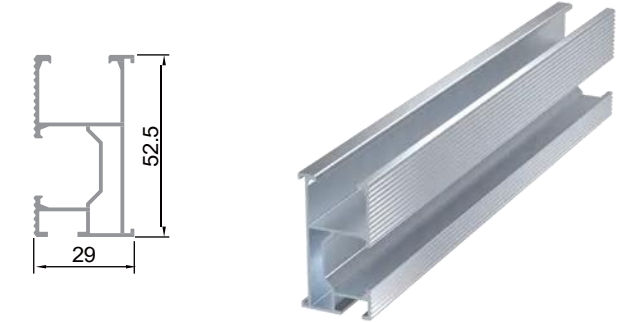
ZJ-R11 Material : AL6005-T5
 Thickness : 1.2mm

Surface Finish :
 Silver/Black anodized



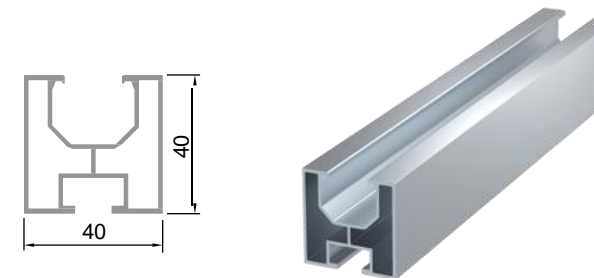
ZJ-R44 Material : AL6005-T5
 Thickness : 1.1mm

Surface Finish :
 Silver/Black anodized



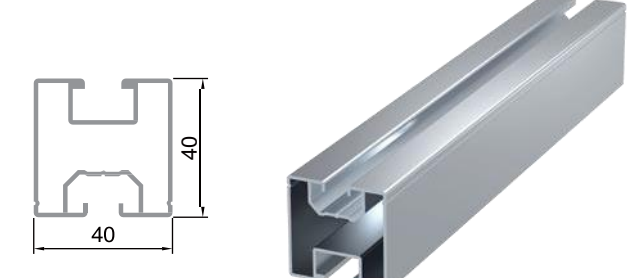
ZJ-R12 Material : AL6005-T5
 Thickness : 1.3mm

Surface Finish :
 Silver/Black anodized



ZJ-R13 Material : AL6005-T5
 Thickness : 1.3mm

Surface Finish :
 Silver/Black anodized



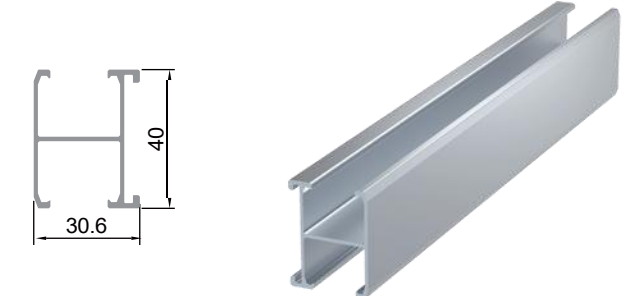
ZJ-R17 Material : AL6005-T5
 Thickness : 1.2mm

Surface Finish :
 Silver/Black anodized



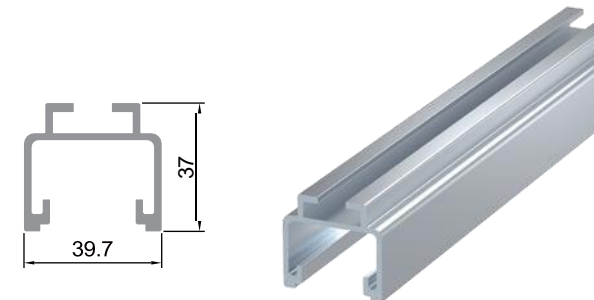
ZJ-R20 Material:AL6005-T5
 Thickness:1.2mm

Surface Finish:
 Silver/Black anodized



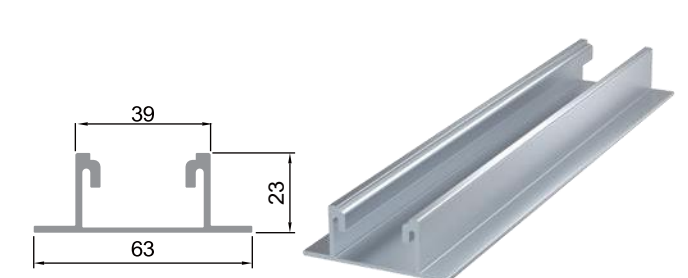
ZJ-R49 Material : AL6005-T5
 Thickness : 2.2mm

Surface Finish :
 Silver/Black anodized



ZJ-R50 Material : AL6005-T5
 Thickness : 2mm

Surface Finish :
 Silver/Black anodized



ZJ-R02-S

Material : AL6005-T5
Length : 200mm
Surface Finish :
Silver/Black anodized


ZJ-R02-SPK

Material : AL6005-T5
Length : 200mm
Surface Finish :
Silver/Black anodized


ZJ-R12-S

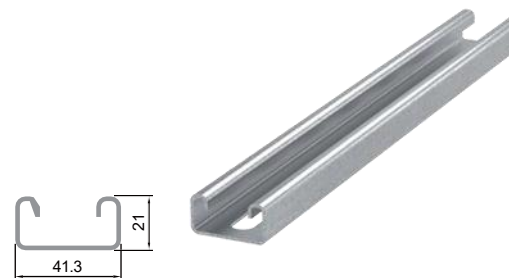
Material : AL6005-T5
Length : 200mm
Surface Finish :
Silver/Black anodized


ZJ-R02-S

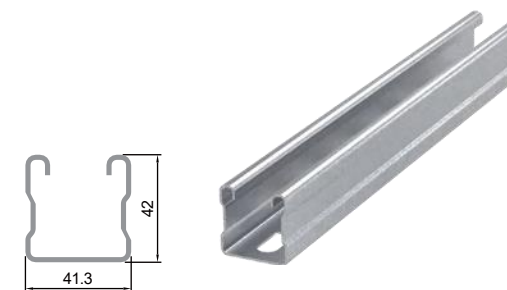
Material : AL6005-T5
Length : 200mm
Surface Finish :
Silver/Black anodized


ZJ-R04-21

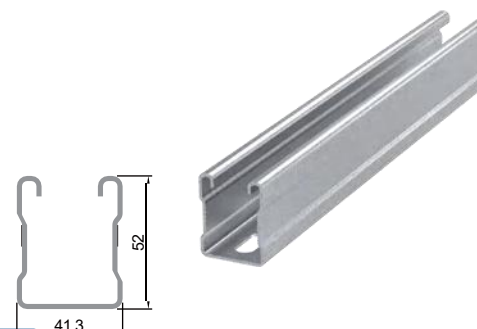
Material : S350GD/Q235B
Thickness : 1.3/1.5mm
Surface Finish :
ZM275/HDG


ZJ-R04-42

Material : S350GD/Q235B
Thickness : 1.3/1.5mm
Surface Finish :
ZM275/HDG


ZJ-R04-52

Material : S350GD/Q235B
Thickness : 1.3/1.5mm
Surface Finish :
ZM275/HDG


ZJ-R04-62

Material : S350GD/Q235B
Thickness : 1.3/1.5mm
Surface Finish :
ZM275/HDG


ZJ-R12

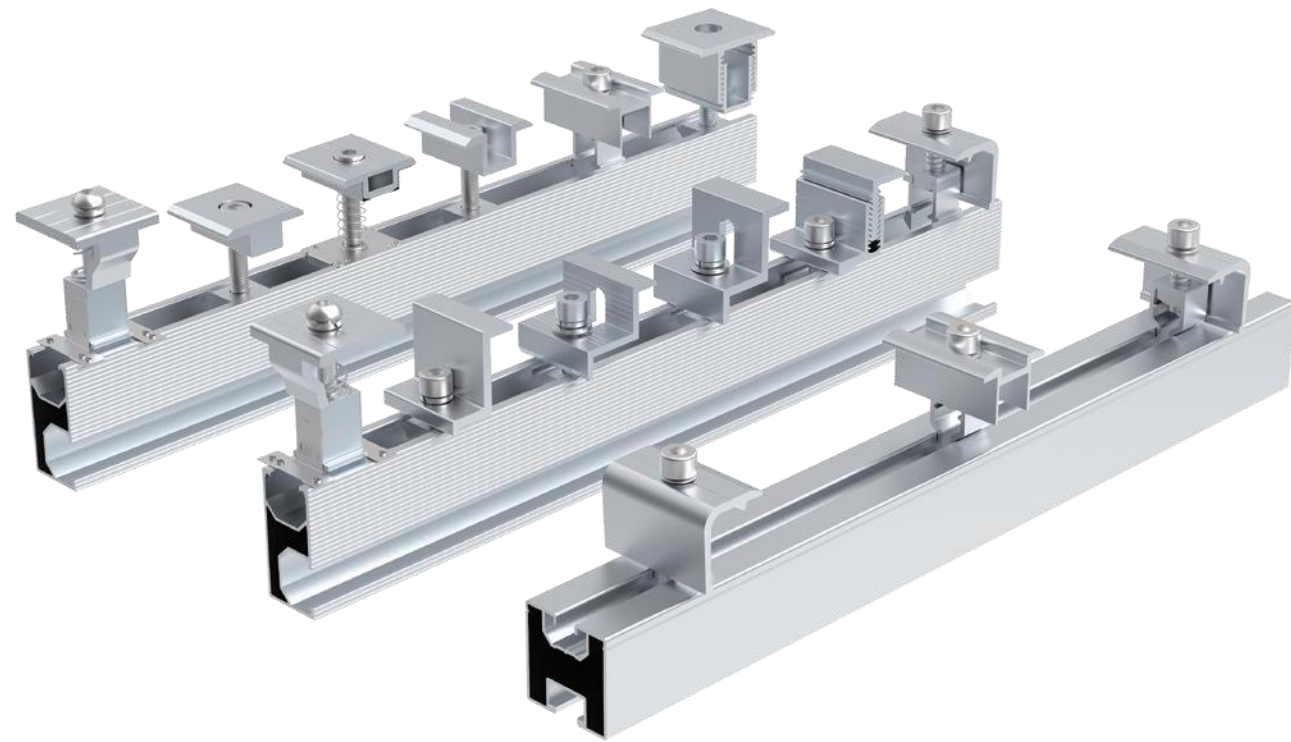
Material : S350GD/Q235B
Thickness : 1.3/1.5mm
Surface Finish :
ZM275/HDG


ZJ-R13

Material : S350GD/Q235B
Thickness : 1.3/1.5mm
Surface Finish :
ZM275/HDG

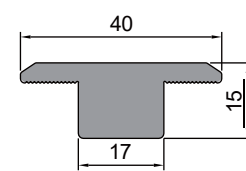


Aluminum Clamps



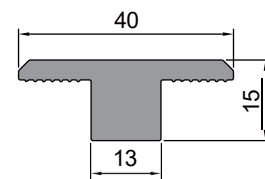
Item NO. : ZJ-IC

For Solar Panel : 30,35,40,45mm
Surface Finish : Silver/Black anodized
Length : 40mm
Material : AL6005-T5

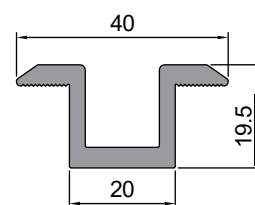


Item NO. : ZJ-IC13

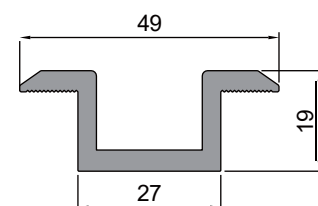
For Solar Panel : 30,35,40,45mm
Surface Finish : Silver/Black anodized
Length : 40mm
Material : AL6005-T5



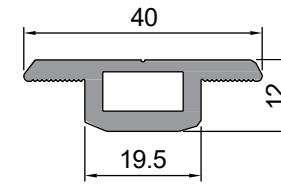
ZJ-MC20 For Solar Panel : 30,35,40,45mm
Surface Finish : Silver/Black anodized
Length : 40mm
Material : AL6005-T5



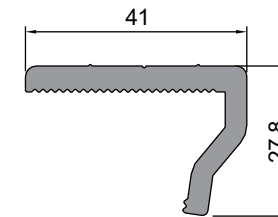
ZJ-MC27 For Solar Panel : 30,35,40,45mm
Surface Finish : Silver/Black anodized
Length : 40mm
Material : AL6005-T5



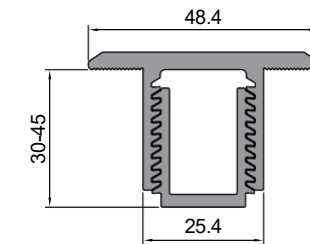
ZJ-IC19 For Solar Panel : 30,35,40,45mm
Surface Finish : Silver/Black anodized
Length : 40mm
Material : AL6005-T5



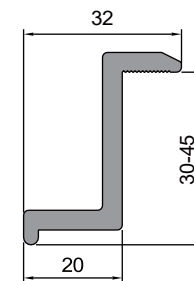
ZJ-SC-H For Solar Panel : 30-40mm
Surface Finish : Silver/Black anodized
Length : 40mm
Material : AL6005-T5



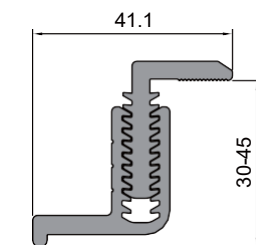
ZJ-AMC For Solar Panel : 30-45mm
Surface Finish : Silver/Black anodized
Length : 40mm
Material : AL6005-T5



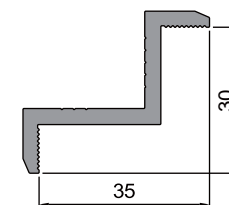
ZJ-SC For Solar Panel : 30,35,40,45mm
Surface Finish : Silver/Black anodized
Length : 40mm
Material : AL6005-T5



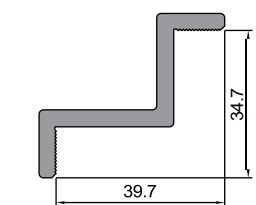
ZJ-AEC For Solar Panel : 30,35,40,45mm
Surface Finish : Silver/Black anodized
Length : 40mm
Material : AL6005-T5



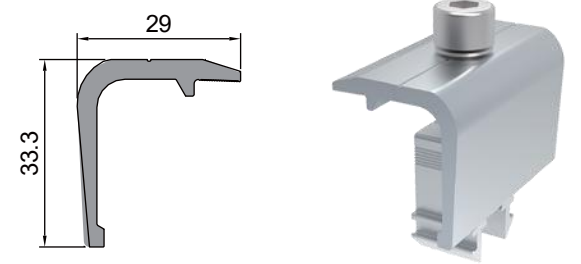
ZJ-SC-30/35 For Solar Panel : 30/35mm
Surface Finish : Silver/Black anodized
Length : 40mm
Material : AL6005-T5



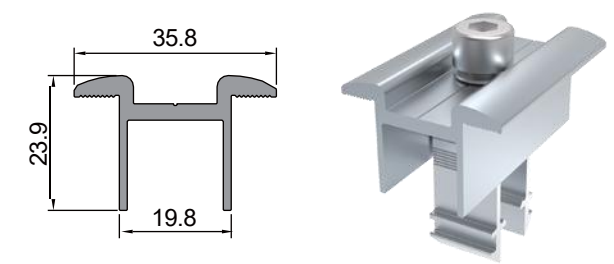
ZJ-SC-35/40 For Solar Panel : 35/40mm
Surface Finish : Silver/Black anodized
Length : 40mm
Material : AL6005-T5



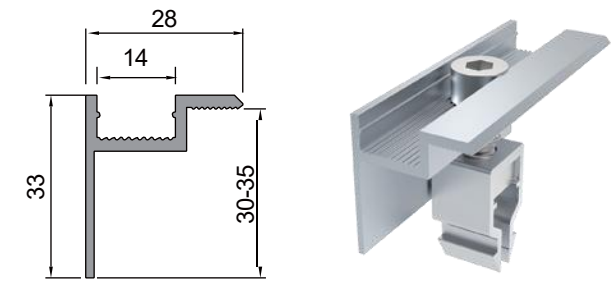
ZJ-UJC For Solar Panel : 30-35mm
 Surface Finish : Silver/Black anodized
 Length : 40mm
 Material : AL6005-T5



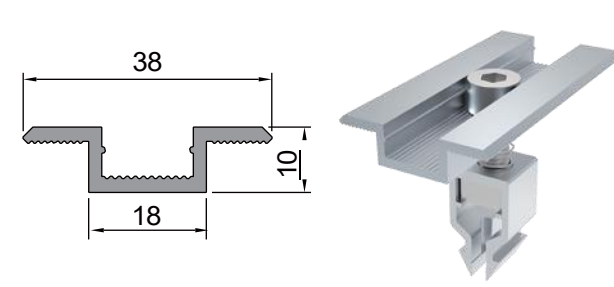
ZJ-UMC For Solar Panel : 30-35mm
 Surface Finish : Silver/Black anodized
 Length : 40mm
 Material : AL6005-T5



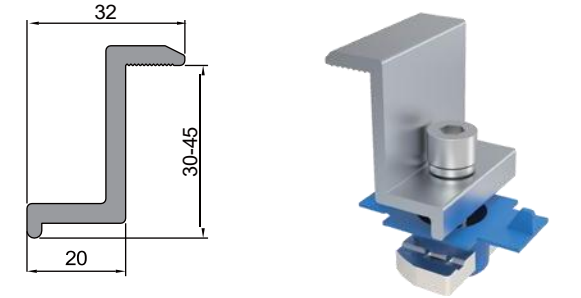
ZJ-MC20-H For Solar Panel : 30,35,40,45mm
 Surface Finish : Silver/Black anodized
 Length : 40mm
 Material : AL6005-T5



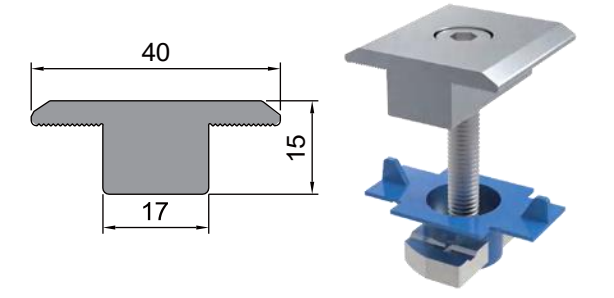
ZJ-MC27-H For Solar Panel : 30,35,40,45mm
 Surface Finish : Silver/Black anodized
 Length : 40mm
 Material : AL6005-T5



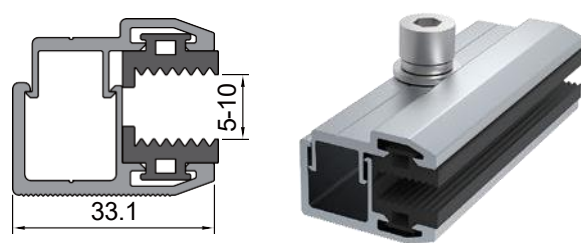
ZJ-SC-HC For Solar Panel : 30,35,40,45mm
 Surface Finish : Silver/Black anodized
 Length : 40mm
 Material : AL6005-T5



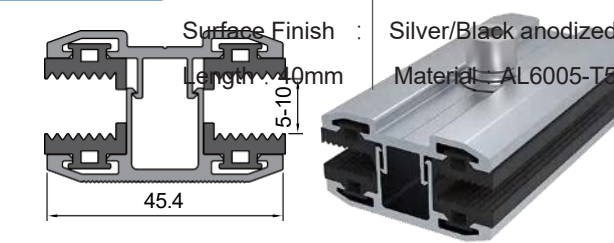
ZJ-IC-HC For Solar Panel : 30,35,40,45mm
 Surface Finish : Silver/Black anodized
 Length : 40mm
 Material : AL6005-T5



ZJ-TF-EC-80 For Solar Panel : 4.5-9mm
 Surface Finish : Silver/Black anodized
 Length : 40mm
 Material : AL6005-T5



ZJ-TF-MC-80 For Solar Panel : 4.5-9mm
 Surface Finish : Silver/Black anodized
 Length : 40mm
 Material : AL6005-T5



ZJ-AB-M8xL Material : SUS304+AL6005-T5
 Surface Finish : Anodized



ZJ-BR-04 Material : SUS304+Q235B
 Surface Finish : HDG/Zn-Al-Mg coating



Grounding Clips & Cable Clips



Item NO. : ZJ-GC-01
Material: SUS304
Size: 30x32mm



Item NO. : ZJ-GC-03
Material: SUS304
Size: 50x42mm



Item NO. : ZJ-GC-04
Material: SUS304
Size: 70x40x15mm



Item NO. : ZJ-CC-04
Material: SUS304/ A2-70
Size: 18x32mm
Spec: For 1-4 cables



Item NO. : ZJ-CC-05
Material: SUS304/ A2-70
Size: 12.5x25mm
Spec: For 1-2 cables



Item NO. : ZJ-CC-06
Material: SUS304/ A2-70
Size: 12x20mm
Spec: For 1-2 cables



Item NO. : ZJ-GC-06
Material: SUS304
Size: Ø34



Item NO. : ZJ-GC-10
Material: SUS304
Size: Ø44*0.3mm



Item NO. : ZJ-GC-11
Material: SUS304
Size: 40*26*5mm



Item NO. : ZJ-CC-01
Material: SUS304/ A2-70
Size: 10x19mm
Spec: For 1-2 cables



Item NO. : ZJ-CC-02
Material: SUS304/ A2-70
Size: 10x23mm
Spec: For 1-2 cables



Item NO. : ZJ-CC-03
Material: SUS304/ A2-70
Size: 18x21mm
Spec: For 1-2 cables



Item NO. : ZJ-CU-25
Material: Cu
Size: 25mm²



Item NO. : ZJ-GL-01
Material: AL6005-T5
Size: 20*40mm



Item NO. : ZJ-CKS-01
Material: Cu
Size: 200mm



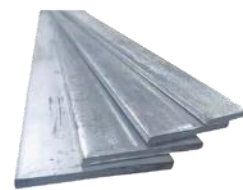
Item NO. : ZJ-ST-M6.3xL
Material: Q235B + Dacromet
Length: 38/ 80mm



Item NO. : ZJ-SD-M6.3xL
Material: SUS410
Length: 38/ 80mm



Item NO. : ZJ-CU-4
Material: CU
Size: 4mm²



Item NO. : ZJ-BT-40
Material: AL6005-T5
Size: 40*3mm



Item NO. : ZJ-GDB
Material: Q235B
Size: 700*φ14mm



Item NO. : ZJ-M10*L
Material: SUS304/ A2-70
Length: 200/ 250/ 300mm
Thread Pitch: 3/ 4.5mm

* For wood purlin.



Item NO. : ZJ-M10x200/S
Material: 1022A
Length: 200mm
Surface Finish: Zinc-Nickel alloys coating

* With self drilling tip for steel purlin.

Solar Mounting Fasteners



Item NO. : ZJ-AB-M8xL
 Material: SUS304/ A2-70
 Length: 20-50mm
 Standard: DIN 912



Item NO. : ZJ-HB-M10xL
 Material: SUS304/ A2-70
 Length: 20-50mm
 Standard: DIN 933



Item NO. : ZJ-TB-M10xL
 Material: SUS304/ A2-70
 Length: 20-50mm
 Standard: 23x14x4mm



Item NO. : ZJ-SN-M8
 Material: SUS304/ A2-70
 Size: M8
 Standard: DIN 557



Item NO. : ZJ-HN-M10
 Material: SUS304/ A2-70
 Size: M10
 Standard: DIN 934



Item NO. : ZJ-FN-M10
 Material: SUS304/ A2-70
 Size: M10
 Standard: DIN 6923



Item NO. : ZJ-ST-M6.3xL
 Material: Q235B + Dacromet
 Length: 38/ 80mm



Item NO. : ZJ-SD-M6.3xL
 Material: SUS410
 Length: 38/ 80mm



Item NO. : ZJ-BMST-M5.5xL
 Material: SUS304
 Length: 20/ 25mm



Item NO. : ZJ-M10*L
 Material: SUS304/ A2-70
 Length: 200/ 250/ 300mm
 Thread Pitch: 3/ 4.5mm
** For wood purlin.*



Item NO. : ZJ-M10x200/S
 Material: 1022A
 Length: 200mm
 Surface Finish: Zinc-Nickel alloys coating
** With self drilling tip for steel purlin.*



Item NO. : ZJ-M10x200/GT
 Material: SUS304/ A2-70
 Length: 200/ 250/ 300mm
**With grooves thread for steel purlin.*

Solar Mounting Accessories



Item NO. : ZJ-ABS-4P
 Material: ABS
 Color: Black/ White



Item NO. : ZJ-ABS-5P
 Material: ABS
 Color: Black/ White



Item NO. : ZJ-ABS-7P
 Material: ABS
 Color: Black/ White



Item NO. : ZJ-ABS-550
 Material: ABS
 Color: Black/ White
 Spec: 550mm



Item NO. : ZJ-ABS-680
 Material: ABS
 Color: Black/ White
 Spec: 680mm



Item NO. : ZJ-FK-12X8
 Material: Al6005-T5
 Color: 305x205mm
 Spec: Black/ Silver



Item NO. : ZJ-ZB-01
 Material: AL5052
 Size: 50.5x62x30mm
 Surface Finish: Anodized



Item NO. : ZJ-ZB-03
 Material: AL5052
 Size: 100x65x42mm
 Surface Finish: Anodized



Item NO. : ZJ-ZB-04
 Material: AL5052
 Size: 100x62x29mm
 Surface Finish: Anodized



Item NO. : ZJ-MC4
 Material: PPO
 For cable: 2.5-6mm²
 Rated Voltage: 1000V

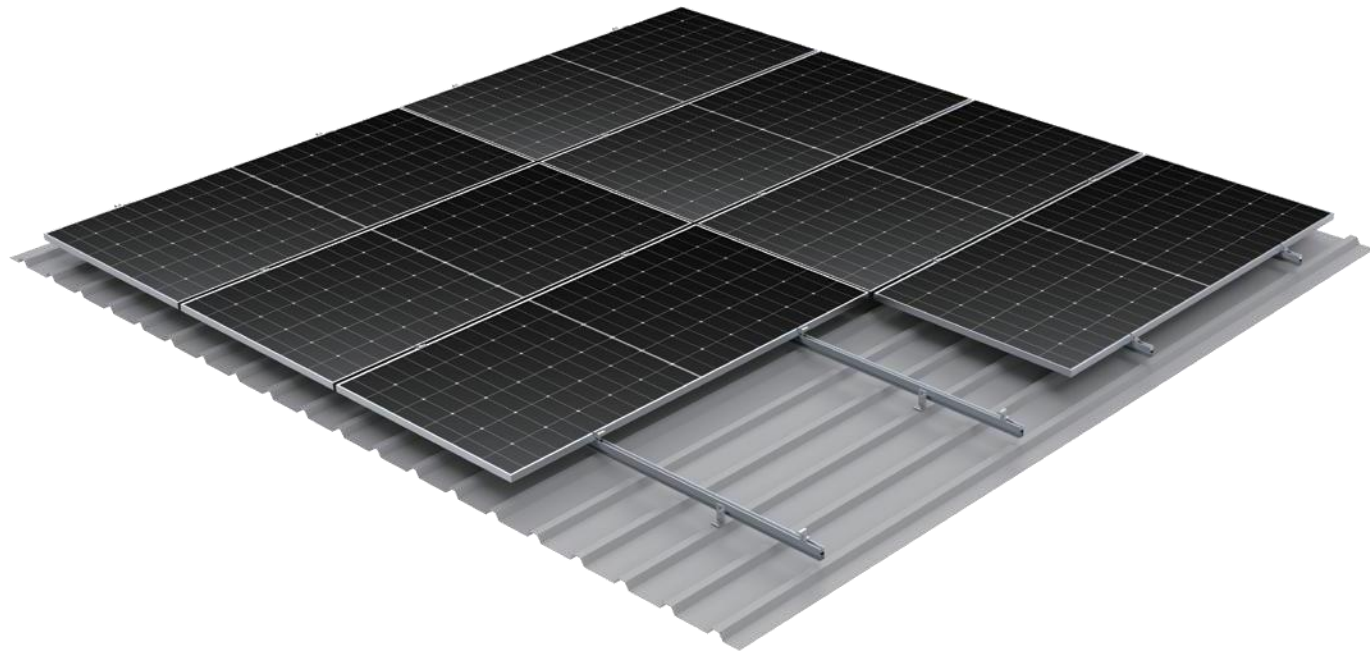


Item NO. : ZJ-PV-C1x4
 Material: Tinned copper
 Spec: 4mm²
 Color: Black/ Red

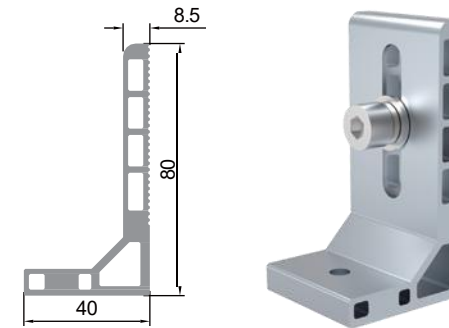


Item NO. : ZJ-PV-C1x6
 Material: Tinned copper
 Spec: 6mm²
 Color: Black/ Red

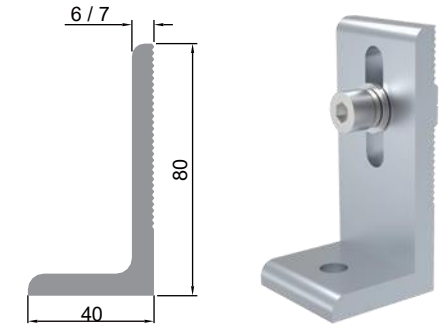
Trapezoidal Metal Roof Mounting



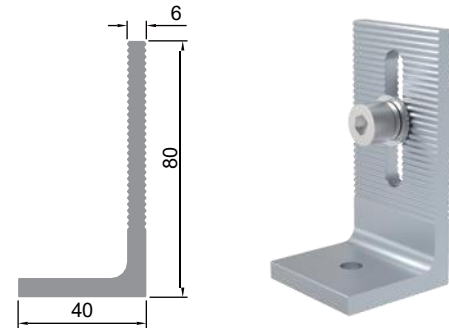
ZJ-TH-L-A Material : AL6005-T5 Length : 40mm
Surface Finish : Silver/Black anodized



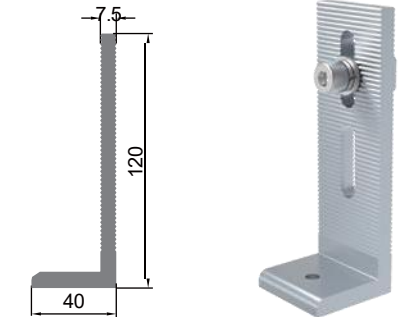
ZJ-TH-L-B Material : AL6005-T5 Length : 40mm
Surface Finish : Silver/Black anodized



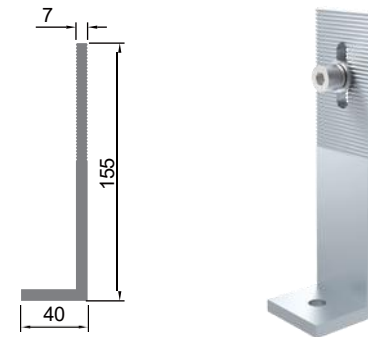
ZJ-TH-L-F Material : AL6005-T5 Length : 40mm
Surface Finish : Silver/Black anodized



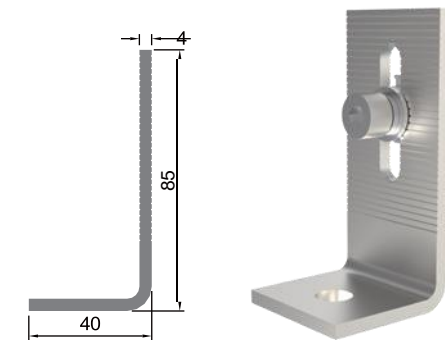
ZJ-SRL-L120 Material : AL6005-T5 Length : 40mm
Surface Finish : Silver/Black anodized



ZJ-TH-L-E Material : AL6005-T5 Length : 40mm
Surface Finish : Silver/Black anodized



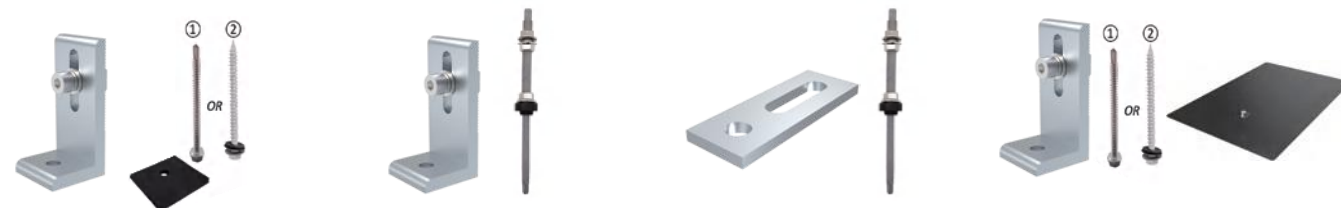
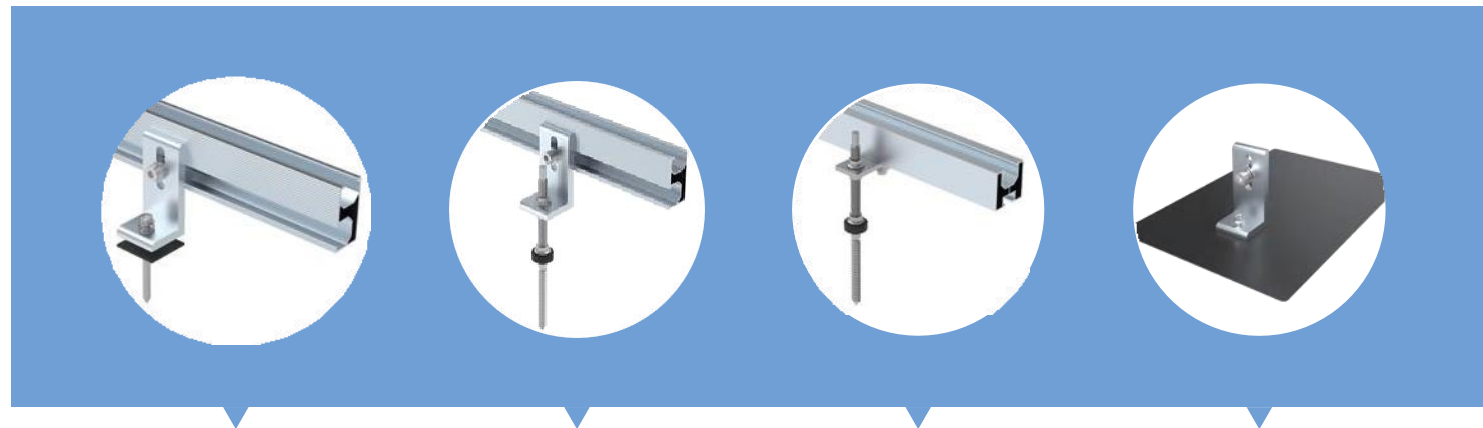
ZJ-TH-L-SS Material : SUS304 Length : 40mm



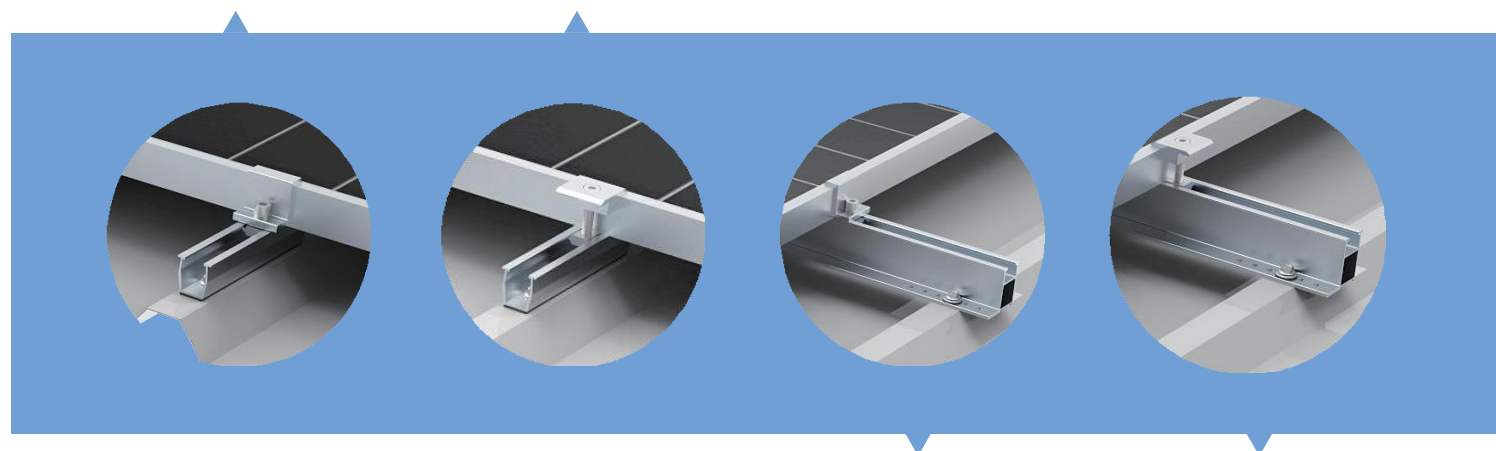
ZJ-AP-82x30A Material : AL6005-T5 Length : 82mm
Surface Finish : Silver/Black anodized



ZJ-AP-82x30 Material : SUS304 Length : 82mm
Surface Finish : Shot blasting



Metal Roof Mini Rails



ZJ-UR22-380 Material : AL6005-T5 Length : 380mm
Surface Finish : Silver/Black anodized

H
22mm



ZJ-UR35-380 Material : AL6005-T5 Length : 380mm
Surface Finish : Silver/Black anodized

H
35mm



ZJ-UR45-380 Material : AL6005-T5 Length : 380mm
Surface Finish : Silver/Black anodized

H
45mm



ZJ-UR70-380 Material : AL6005-T5 Length : 380mm
Surface Finish : Silver/Black anodized

H
70mm



ZJ-TCB-10 Material : AL6005-T5 Length : 120mm
Surface Finish : Silver/Black anodized

H
30mm



ZJ-UR60-120 Material : AL6005-T5 Length : 120mm
Surface Finish : Silver/Black anodized

H
60mm



ZJ-TCB-14 Material : AL6005-T5 Length : 120mm
Surface Finish : Silver/Black anodized

H
50mm



Standing Seam Metal Roof Clamps



Item NO. : ZJ-TCB-01

Material : AL6005-T5
 Length: 50mm
 Surface Finish : Anodized



Item NO. : ZJ-TCB-05

Material : AL6005-T5
 Length: 50mm
 Surface Finish : Anodized



Item NO. : ZJ-TCB-03

Material : AL6005-T5
 Length: 50mm
 Surface Finish : Anodized



Item NO. : ZJ-TCB-12

Material : AL6005-T5
 Length: 50mm
 Surface Finish : Anodized



Item NO. : ZJ-TCB-13

Material : AL6005-T5
 Length: 50mm
 Surface Finish : Anodized



Item NO. : ZJ-TCB-16

Material : AL6005-T5
 Length: 50mm
 Surface Finish : Anodized



Item NO. : ZJ-TCB-21

Material : AL6005-T5
 Length: 80mm
 Surface Finish : Anodized



Item NO. : ZJ-TCB-23

Material : AL6005-T5
 Length: 100mm
 Surface Finish : Anodized



Item NO. : ZJ-TCB-15

Material : AL6005-T5
 Length: 50mm
 Surface Finish : Anodized



Item NO. : ZJ-TCB-17

Material : AL6005-T5
 Length: 100mm
 Surface Finish : Anodized



Item NO. : ZJ-TCB-22

Material : AL6005-T5
 Length: 80mm
 Surface Finish : Anodized



Item NO. : ZJ-TCB-24

Material : AL6005-T5
 Length: 100mm
 Surface Finish : Anodized



Standing Seam Metal Roof Clamps

Item NO. : ZJ-TCB-25

Material : AL6005-T5
 Length: 50mm
 Surface Finish : Anodized



Item NO. : ZJ-LSM

Material : AL6005-T5
 Length: 40mm
 Surface Finish : Anodized



Item NO. : ZJ-LSM-C

Material : SUS304/A2-70
 Length: 100mm
 Surface Finish : Anodized



Item NO. : ZJ-TH-4#

Material : SUS304/A2-70
 Length: 100mm
 Surface Finish : Shoting Blasting



Item NO. : ZJ-TCB-26

Material : AL6005-T5
 Length: 50mm
 Surface Finish : Anodized



Item NO. : ZJ-LSM-B

Material : AL6005-T5
 Length: 40mm
 Surface Finish : Anodized



Item NO. : ZJ-RH-ST5

Material : AL6005-T5
 Length: 30mm
 Surface Finish : Anodized



Item NO. : ZJ-TH-1#

Material : SUS304/A2-70
 Length: 100mm
 Surface Finish : Shoting Blasting



Item NO. : ZJ-TH-4

Material : SUS304/A2-70
 Length: 100mm
 Surface Finish : Shoting Blasting



Item NO. : ZJ-TCB-06

Material : SUS304/A2-70
 Length: 100mm
 Surface Finish : Shoting Blasting



Item NO. : ZJ-TH-2#

Material : SUS304/A2-70
 Length: 100mm
 Surface Finish : Shot Blasting

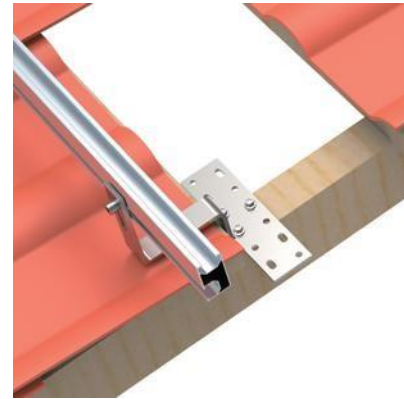


Item NO. : ZJ-TH-05

Material : SUS304/A2-70
 Length: 100mm
 Surface Finish : Shot Blasting



Pitched Tile Roof Mounting



Item NO. : ZJ-RH-FT5
 Material: SUS304/A2-70
 Length: 80x50mm
 Surface Finish: Shoting Blasting



Item NO. : ZJ-RH-CT5
 Material: SUS304/A2-70
 Length: 80x50mm
 Surface Finish: Shoting Blasting



Item NO. : ZJ-RH-CT7
 Material: SUS304/A2-70
 Length: 80x50mm
 Surface Finish: Shoting Blasting



Item NO. : ZJ-RH-CT6
 Material: SUS304/A2-70
 Length: 80x50mm
 Surface Finish: Shoting Blasting



Item NO. : ZJ-RH-FT1
 Material: SUS304/A2-70
 Length: 80x50mm
 Surface Finish: Shoting Blasting



Item NO. : ZJ-RH-ST1
 Material: SUS304/A2-70
 Length: 80x50mm
 Surface Finish: Shoting Blasting



Item NO. : ZJ-RH-FT2
 Material: SUS304/A2-70
 Length: 80x50mm
 Surface Finish: Anodized



Item NO. : ZJ-RH-ST2
 Material: SUS304/A2-70
 Length: 80x50mm
 Surface Finish: Anodized



Item NO. : ZJ-RH-ST3
 Material: SUS304/A2-70
 Length: 80x50mm
 Surface Finish: Anodized



Item NO. : ZJ-RH-CT1
 Material: SUS304/A2-70
 Length: 80x50mm
 Surface Finish: Anodized



Item NO. : ZJ-RH-CT1A
 Material: SUS304/A2-70
 Length: 80x50mm
 Surface Finish: Anodized



Item NO. : ZJ-RH-FT4
 Material: SUS304/A2-70
 Length: 80x50mm
 Surface Finish: Anodized



Item NO. : ZJ-RH-CT2
 Material: SUS304/A2-70
 Length: 80x50mm
 Surface Finish: Anodized



Item NO. : ZJ-RH-CT3
 Material: SUS304/A2-70
 Length: 80x50mm
 Surface Finish: Anodized



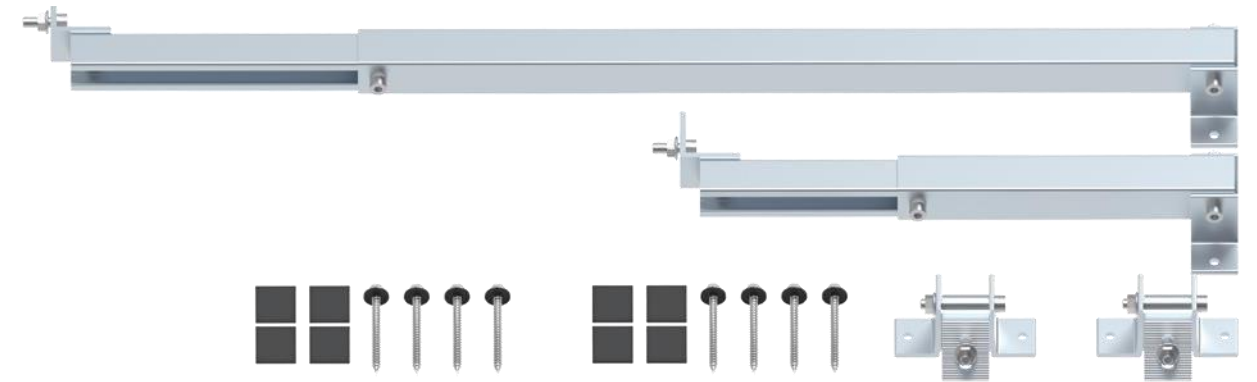
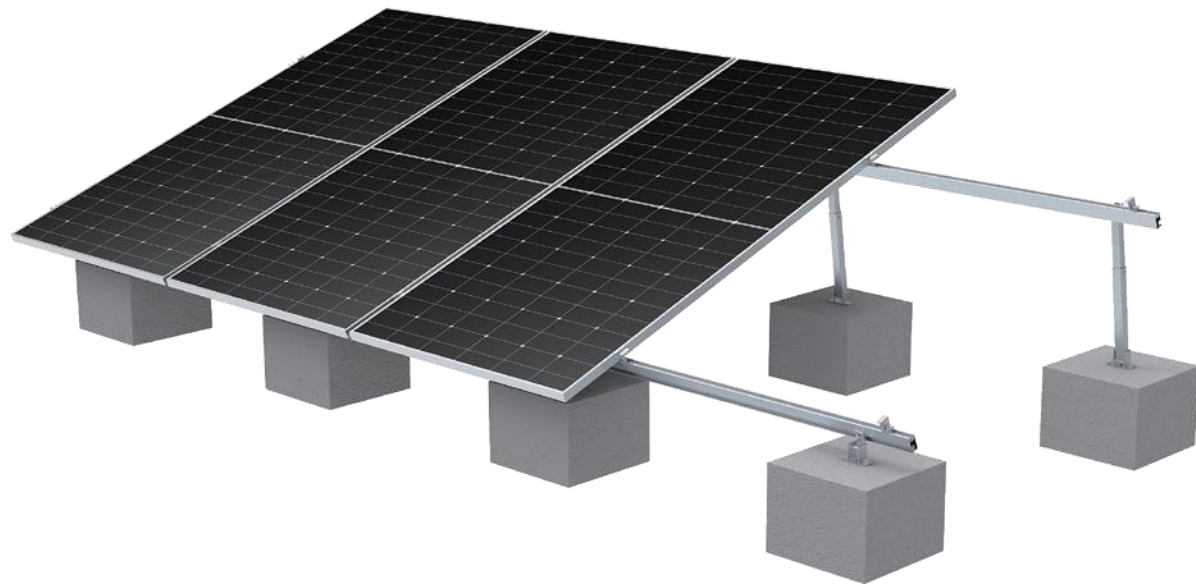
Item NO. : ZJ-RH-CT4
 Material: SUS304/A2-70
 Length: 80x50mm
 Surface Finish: Anodized



Adjustable Roof Mounting



Single Panel Mounting Kit



- YZJARL-15** Adjustable Rear Leg, 10-15 degree
- ZJ-ARL-30** Adjustable Rear Leg, 15-30 degree
- ZJ-ARL-60** Adjustable Rear Leg, 30-60 degree

ZJ-AFL Front Leg



- ZJ-ARL-15N** Adjustable Rear Leg, 10-15 degree
- ZJ-ARL-30N** Adjustable Rear Leg, 15-30 degree
- ZJ-ARL-60N** Adjustable Rear Leg, 30-60 degree

ZJ-AFL-N Front Leg



Single Panel Mounting Kit



Adjustable Triangle Bracket

Key Features

ZJ-ATT-22	556 x 556 x 290mm
ZJ-ATT-28	712 x 712 x 375mm
ZJ-ATT-41	1040 x 1040 x 545mm
ZJ-ATT-45	1148 x 1148 x 575mm
Material	AL6005-T5/ SUS304



Adjustable Triangle Bracket

Key Features

Adjustable Angle	30-60 degree, or customized
Maximum Solar Panel Width	No limit
Solar Panel Thickness	30-45 mm
Solar Panel Orientation	Landscape
Material	AL6005-T5/ S350GD



Balcony Mounting Kit

ZJZB's Balcony Mounting Brackets offer a simple and cost-effective solution for installing solar panels on balconies. The brackets are made from high strength steel and aluminum which will make sure the solar panel is securely mounted. With a wide adjustable angle, they allow the solar panel to achieve optimal power generation efficiency.



ZJ-BAL-B

Key Features

Adjustable Angle	20-50 degree, or customized
Maximum Solar Panel Width	1150 mm
Solar Panel Thickness	30-45 mm
Solar Panel Orientation	Landscape
Material	AL6005-T5/ SUS304

ZJ-BAL-3

Key Features

Adjustable Angle	10-60 degree, or customized
Maximum Solar Panel Width	No limit
Solar Panel Thickness	30-45 mm
Solar Panel Orientation	Landscape
Material	AL6005-T5/ SUS304

F1 Ballasted Mounting System

F2 Ballasted Mounting System



F1 is a high quality and quick ballasted mounting solution for flat roofs. All the components are pre-punched and highly pre-assembled. The installers can easily align the front & rear legs and then fix them easily by plug in and rotate a T bolt. The system provides different rail length and 2 ballasting options to make the installation more flexible.



South orientation

East-West orientation



Technical Features:	
Installation Site:	Flat roof
Solar Panel Tilt Angle:	10-15 degree, or customized
Solar Panel Width:	992-1150mm
Solar Panel Thickness:	30-45mm
Solar Panel Orientation:	East-West or South
Material:	AL6005-T5

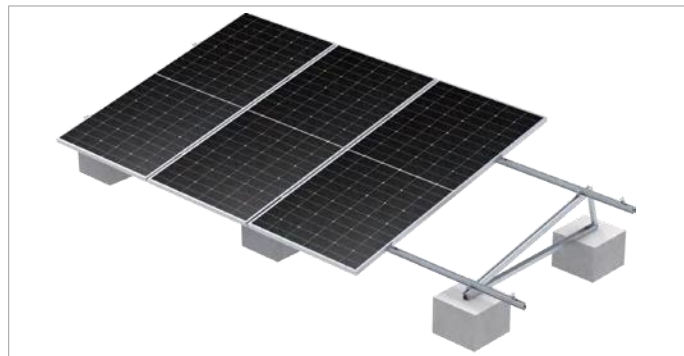
Technical Features:	
Installation Site:	Flat roof
Solar Panel Tilt Angle:	5-15 degree, or customized
Solar Panel Length:	≤1800mm
Solar Panel Thickness:	30-45mm
Solar Panel Orientation:	South
Material:	S350GD

<p>End Clamp</p> <p>Material : AL6005-T5 Surface Finish : Anodized</p> 	<p>Front Leg</p> <p>Material : AL6005-T5 Surface Finish : Anodized</p> 	<p>Rear Leg</p> <p>Material : AL6005-T5 Surface Finish : Anodized</p> 	<p>Rail</p> <p>Material : AL6005-T5 Surface Finish : Anodized</p> 
<p>Rail Splice</p> <p>Material : AL6005-T5 Surface Finish : Anodized</p> 	<p>Rubber Pad</p> <p>Material : EPDM</p> 	<p>Ballasted Pan</p> <p>Material : S350GD Surface Finish : ZM275</p> 	<p>Wind Shield</p> <p>Material : S350GD Surface Finish : ZM275</p> 

<p>End Clamp</p> <p>Material : AL6005-T5 Surface Finish : Anodized</p> 	<p>Mid Clamp</p> <p>Material : AL6005-T5 Surface Finish : Anodized</p> 	<p>Base 1</p> <p>Material : S350GD Surface Finish : ZM275</p> 
<p>Base 2</p> <p>Material : S350GD Surface Finish : ZM275</p> 	<p>Ballasted Pan</p> <p>Material : S350GD Surface Finish : ZM275</p> 	<p>Wind Shield</p> <p>Material : S350GD Surface Finish : ZM275</p> 

F3 Ballasted Mounting System

F3 is a special designed ballasted mounting solution for portrait solar panel array. It's able to maximize the utility of roof area.



East-West orientation

South orientation

Technical Features:	
Installation Site:	Flat roof
Solar Panel Tilt Angle:	10-15 degree, or customized
Solar Panel Width:	No limit
Solar Panel Thickness:	30-45mm
Solar Panel Orientation:	East-West or South
Material:	AL6005-T5

End Clamp

Material : AL6005-T5
Surface Finish : Anodized



Mid Clamp

Material : AL6005-T5
Surface Finish : Anodized



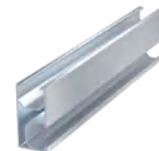
Rail Clamp

Material : AL6005-T5
Surface Finish : Anodized



Rail

Material : AL6005-T5
Surface Finish : Anodized



Rail Splice

Material : AL6005-T5
Surface Finish : Anodized



Triangle Bracket

Material : AL6005-T5
Surface Finish : Anodized



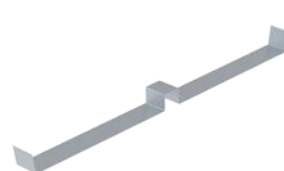
Double Triangle Bracket

Material : AL6005-T5
Surface Finish : Anodized



ZJ-BTR-BP

Material : AL 5052



Z-Type Ballasted Mounting System



ZJZB's Z-Type Ballasted Mounting System is a railless solution for flat roof. With very few components, it's very convenient for various solar panel array, flexible and low costs.



Technical Features:	
Installation Site:	Flat roof
Solar Panel Tilt Angle:	5-15 degree, or customized
Solar Panel Width:	992-1150mm
Solar Panel Thickness:	30-45mm
Solar Panel Orientation:	South
Material:	Q235B + HDG

End Clamp

Material : AL6005-T5
Surface Finish : Anodized



Mid Clamp

Material : AL6005-T5
Surface Finish : Anodized



Z Holder

Material : Q235B
Surface Finish : HDG



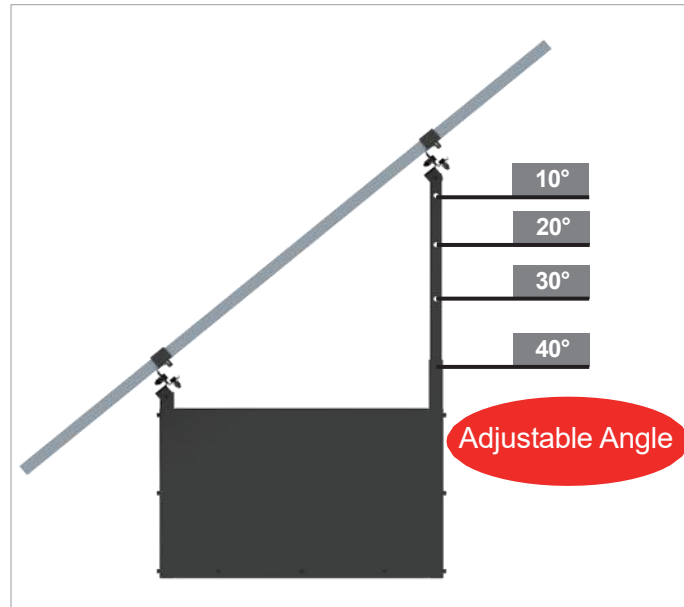
Wind Shield

Material : S350GD
Surface Finish : ZM275



Box-Type Ballasted Mounting System

ZJZB's Box-Type Ballasted Solar Mounting System is easy to install, ideal for DIY, with no drilling or masonry required. Compact and space-saving, it fits any flat roof or ground, offering a quick, flexible, and cost-effective way to harness solar energy.



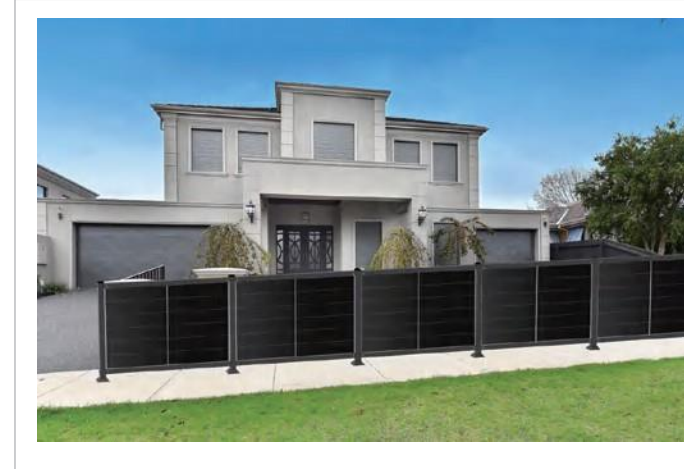
Technical Features:	
Installation Site:	Flat roof or ground
Solar Panel Tilt Angle:	10-40 degree
Material:	S350GD
Surface Finish:	ZM275+Baked Paint
Solar Panel Orientation:	Portrait
Ballasted Material:	Sand, gravel, concrete block



Solar Fence Mounting System



ZJZB's Solar Fence Mounting System turns fences into clean energy sources. Easy to install and aesthetic appearance, it's perfect for homes with gardens or yards, providing free solar power and EV charging. It's also ideal for farms, offering sustainable fencing and energy. It's a smart, eco-friendly solution for modern needs.



POST



Material : S350GD
 Length : 1350mm or customized
 Surface Finish : ZM275+Baked Paint

BEAM



Material : S350GD
 Length : 1722/1762mm or customized
 Surface Finish : ZM275+Baked Paint

Cable Cover



Material : S350GD
 Length : 1722/1762mm or customized
 Surface Finish : ZM275+Baked Paint

BASE



Material : S350GD Length : 60mm
 Surface Finish : ZM275+Baked Paint

Aluminum Solar Carport



ZJZB Aluminum Solar Carport is a versatile solution for both commercial and residential use. Constructed from high-strength aluminum alloy, it is lightweight, durable, and easy to install. We offer customizable designs for single, double, triple, or multiple parking spaces, ensuring a perfect fit for your needs.



Technical Features:	
Installation Site:	Open Filed
Solar Panel Tilt Angle:	5-20 degree
Max Wind Speed:	60 m/s
Snow Load:	1.4 KN/m2
Material:	Aluminum 6005-T5
Foundation:	Ground screw or concrete block

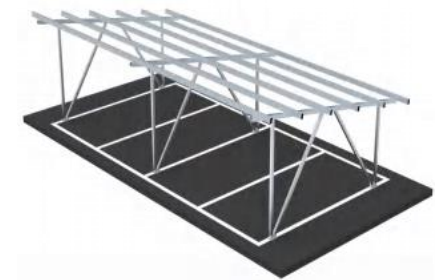


Installation Guide:

Step 1: Fix pre-assembled beam



Step 2: Fix rail



Step 3: Fix panels on rail until finished.



End Clamp

Material : AL6005-T5
Surface Finish : Anodized



Mid Clamp

Material : AL6005-T5
Surface Finish : Anodized



Rail

Material : AL6005-T5
Surface Finish : Anodized



Beam

Material : AL6005-T5
Surface Finish : Anodized



Support Leg

Material : AL6005-T5
Surface Finish : Anodized



Base

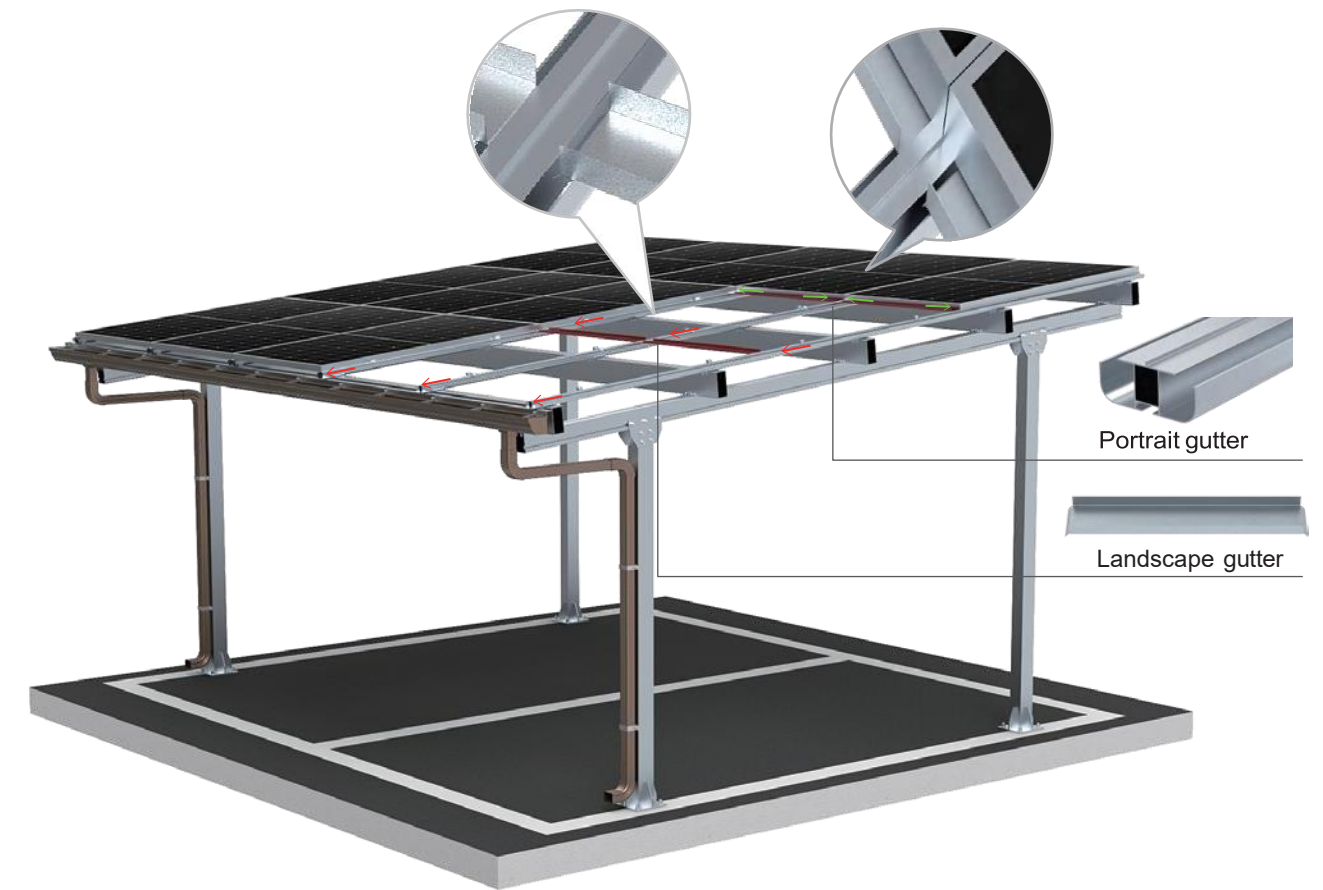
Material : AL6005-T5
Surface Finish : Anodized



Residential Steel Solar Carport



ZJZB's Residential Steel Carport features a modular design for easy installation and a baked paint surface finish for durability and a sleek look. Equipped with an efficient drainage system, it ensures reliable waterproof protection. Ideal for 1-2 cars, it's perfect for homes and seamlessly supports EV charging.



Technical Features:	
Installation Site:	Open Filed
Solar Panel Tilt Angle:	5-20 degree
Max Wind Speed:	60 m/s
Snow Load:	1.4 KN/m2
Material:	Steel Q235B
Foundation:	Concrete block

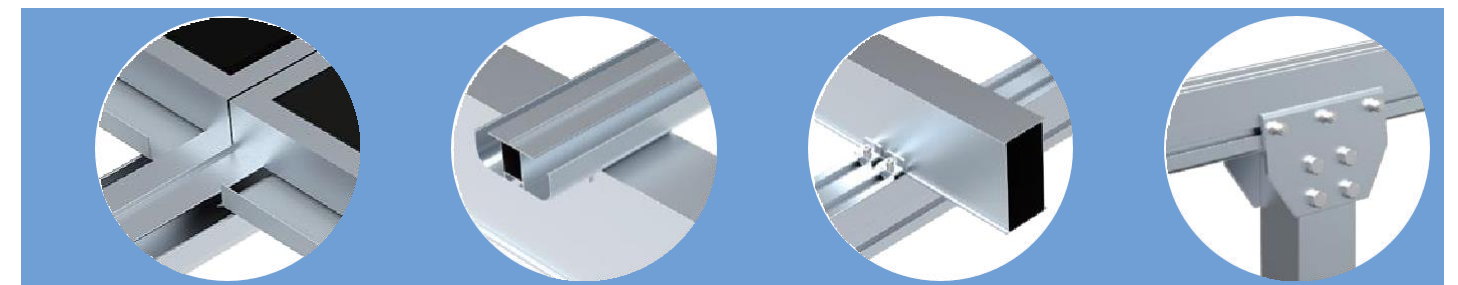
Installation Guide:

Step 1: Fix column and beam

Step 2: Fix rail

Step 3: Fix landscape and portrait rain gutter.

Step 4: Fix panel on rail until finished.

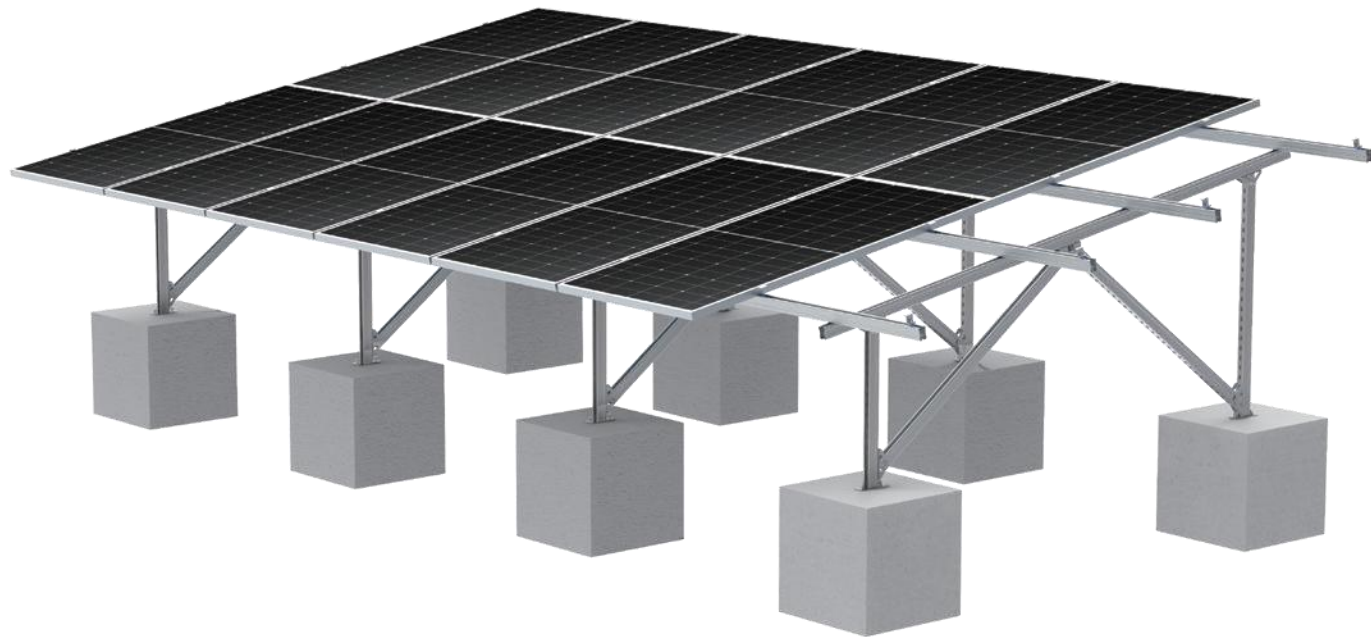


<p>Panel Clamp Material : AL6005-T5 Surface Finish : Anodized</p>	<p>Rail Clamp Material : AL6005-T5 Surface Finish : Anodized</p>	<p>Portrait Gutter Material : AL6005-T5 Surface Finish : Anodized</p>	<p>Landscape Gutter Material : S350GD Surface Finish : ZM275</p>
<p>Rail Material : AL6005-T5 Surface Finish : Anodized</p>	<p>H Connector Material : AL6005-T5 Surface Finish : Anodized</p>	<p>Beam Material : AL6005-T5 Surface Finish : Anodized</p>	<p>Support Leg Material : Q235B Surface Finish : HDG</p>

Steel Roof/ Ground Mounting System



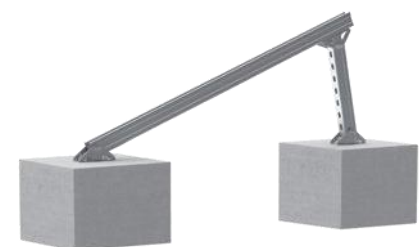
This is a versatile solution designed for both flat roofs and ground installations. Built with high-strength steel, it ensures exceptional durability and stability. Its easy installation process makes it ideal for a wide range of projects, offering a reliable and low-cost way to harness solar energy.



A-Tpye

H-Tpye

W-Tpye



End Clamp

Material : AL6005-T5
Surface Finish : Anodized



Rail ZJ-R04-41

Material: S350GD/Q235B
Surface Finish: ZM275/HDG
Size: 41X41mm
Thickness: 1.5/ 2.0/ 2.5mm



Rail Splice ZJ-R04-SP

Material: S350GD/Q235B
Surface Finish: ZM275/HDG
Size: 50X40/50/60mm
Thickness: 200mm



Front Leg ZJ-SG1-FL

Material: Q235B
Surface Finish: HDG
Size: 160X60X6mm
Thickness: Customized



Mid Clamp

Material : AL6005-T5
Surface Finish : Anodized



Rail ZJ-R04-52

Material: S350GD/Q235B
Surface Finish: ZM275/HDG
Size: 41X52mm
Thickness: 1.5/ 2.0/ 2.5mm



Rail Splice ZJ-SG1-TC

Material: S350GD/Q235B
Surface Finish: ZM275/HDG
Size: 48X63mm
Thickness: 150mm



Rear Leg ZJ-SG1-RL

Material: Q235B
Surface Finish: HDG
Size: 160X60X6mm
Thickness: Customized



Bolt Kit

Material : SUS304/Q235B
Surface Finish : Anodized



Rail ZJ-R04-62

Material: S350GD/Q235B
Surface Finish: ZM275/HDG
Size: 41X62mm
Thickness: 1.5/ 2.0/ 2.5mm



Rail Splice ZJ-SG1-TC1

Material: S350GD/Q235B
Surface Finish: ZM275/HDG
Size: 48X63mm
Thickness: 150mm

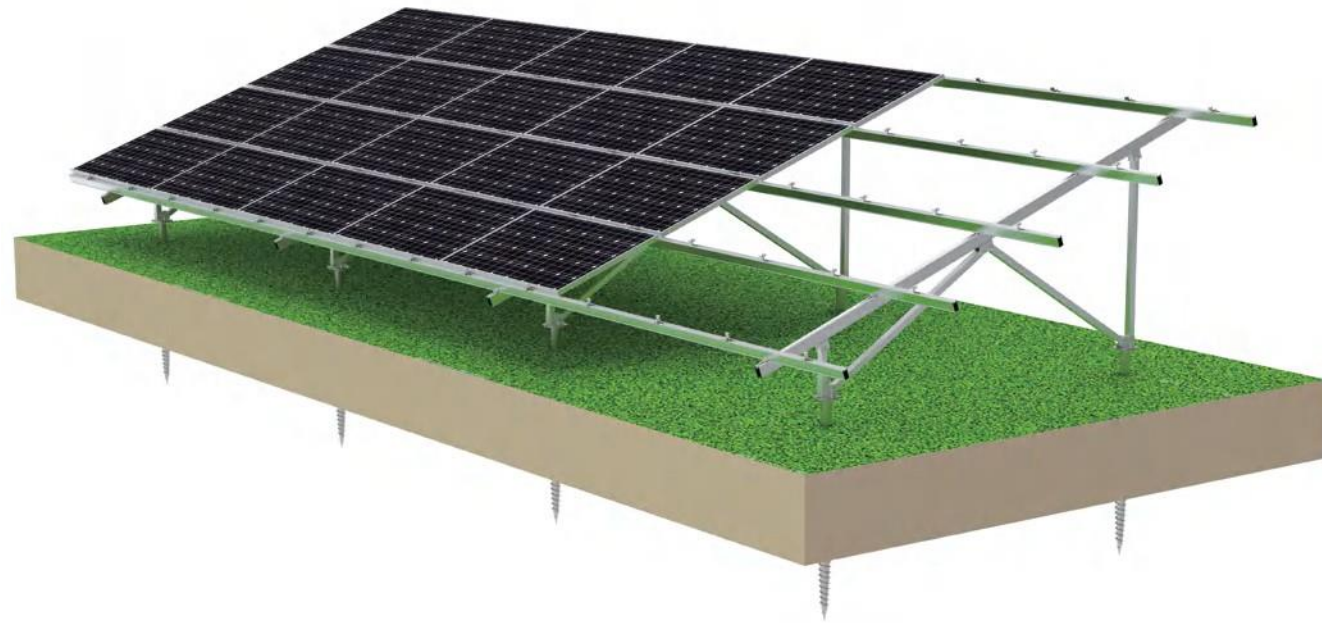


Base ZJ-SG1-B

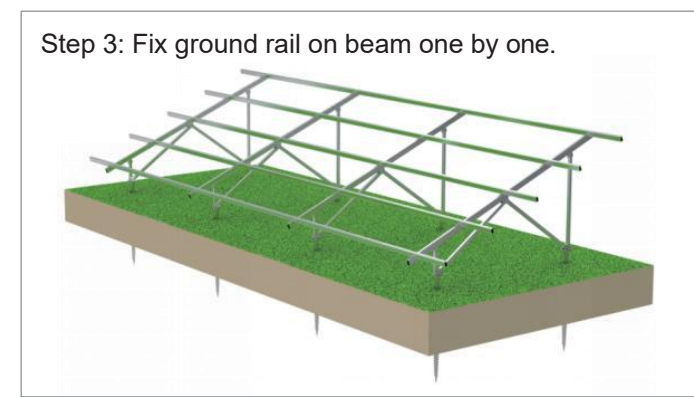
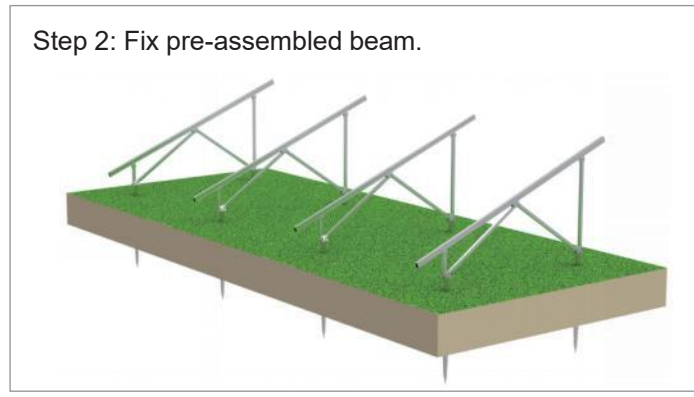
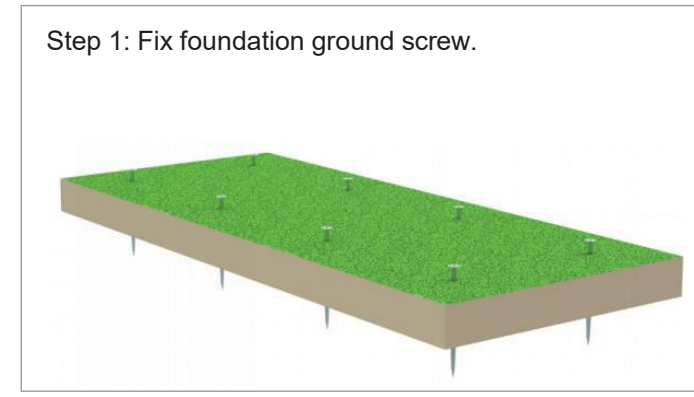
Material: Q235B
Surface Finish: HDG
Size: 160X60X6mm
Thickness: Customized



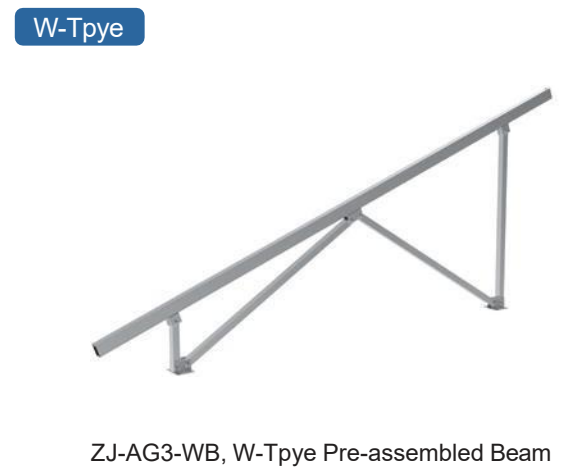
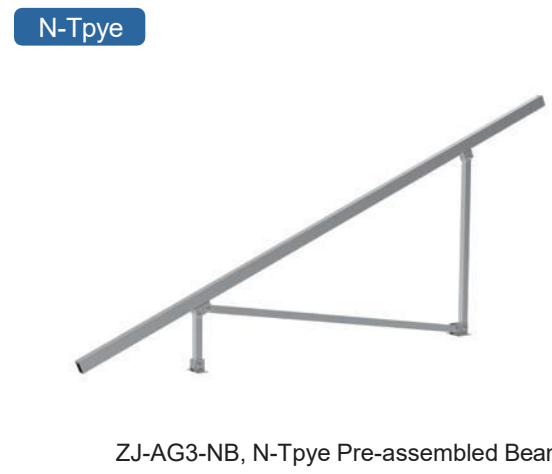
Aluminum Ground Mounting System



Technical Features:	
Installation Site:	Open Filed
Solar Panel Tilt Angle:	5-40 degree
Max Wind Speed:	60 m/s
Snow Load:	1.4 KN/m2
Material:	Aluminum 6005-T5
Foundation:	Ground screw or concrete block



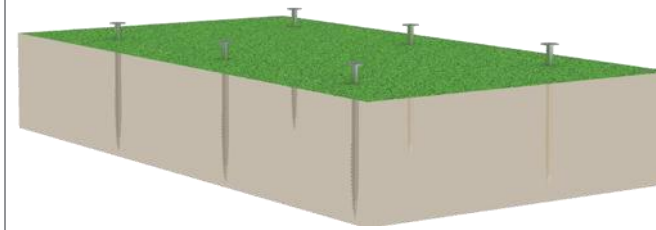
<p>End Clamp Material : AL6005-T5 Surface Finish : Anodized</p>	<p>Mid Clamp Material : AL6005-T5 Surface Finish : Anodized</p>	<p>Rail Clamp Material : AL6005-T5 Surface Finish : Anodized</p>	<p>Rail Material : AL6005-T5 Surface Finish : Anodized</p>
<p>Rail Splice Material : AL6005-T5 Surface Finish : Anodized</p>	<p>Beam Material : AL6005-T5 Surface Finish : Anodized</p>	<p>H01 Connector Material : AL6005-T5 Surface Finish : Anodized</p>	<p>H02 Connector Material : AL6005-T5 Surface Finish : Anodized</p>
<p>Base 1 Material : AL6005-T5 Surface Finish : Anodized</p>	<p>Base 2 Material : AL6005-T5 Surface Finish : Anodized</p>	<p>Ground Screw Material : Q235B/Q355B Surface Finish : HDG</p>	



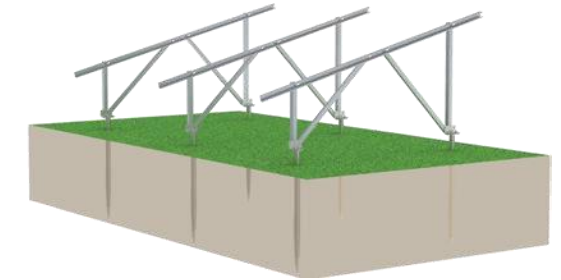
ZAM-W Steel Ground Mounting System



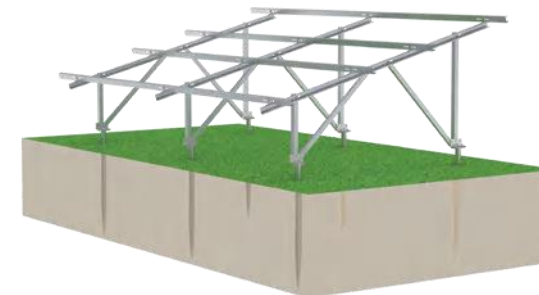
Step 1: Fix foundation ground screw.



Step 2: Fix pre-assembled beam.



Step 3: Fix rail on beam one by one.

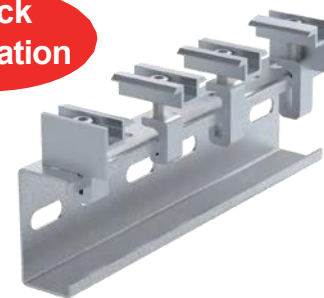


Step 4: Fix panel on rail until finished.

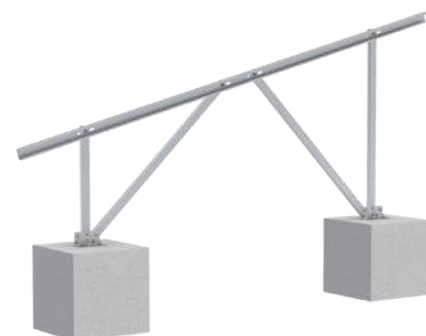


Technical Features:	
Installation Site:	Open Filed
Solar Panel Tilt Angle:	5-40 degree
Max Wind Speed:	60 m/s
Snow Load:	1.4 KN/m2
Material:	Aluminum 6005-T5
Foundation:	Ground screw or concrete block

Quick Installation



Concrete Block



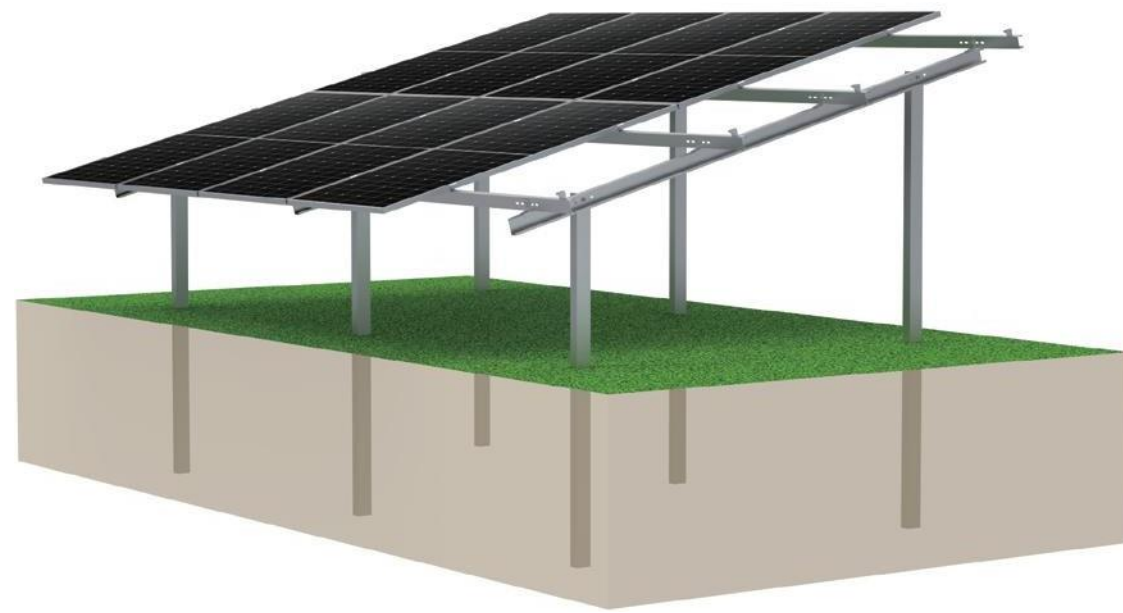
Ground Screw



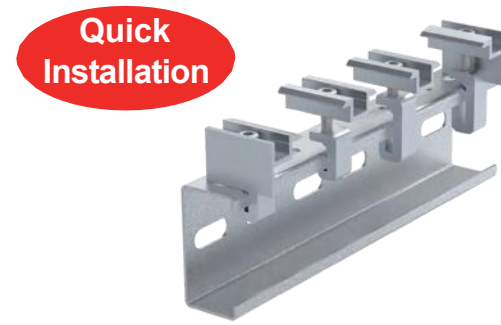
<p>End Clamp Material : AL6005-T5 Surface Finish : Anodized</p> 	<p>Mid Clamp Material : AL6005-T5 Surface Finish : Anodized</p> 	<p>Rail Clamp Material : Q235B Surface Finish : HDG</p> 	<p>Rail Material : S350GD Surface Finish : ZM275</p> 
<p>Rail Splice Material : S350GD Surface Finish : ZM275</p> 	<p>Beam Material : S350GD Surface Finish : ZM275</p> 	<p>Front Leg Material : S350GD Surface Finish : ZM275</p> 	<p>Rear Leg Material : S350GD Surface Finish : ZM275</p> 
<p>Tilt Support Material : S350GD Surface Finish : ZM275</p> 	<p>Base Material : Q235B Surface Finish : HDG</p> 	<p>Ground Screw Material : Q235B/Q355B Surface Finish : HDG</p> 	

ZAM-H Steel Ground Mounting System

ZAM-Y Steel Ground Mounting System



Technical Features:	
Installation Site:	Open Field
Solar Panel Tilt Angle:	5-40 degree
Max Wind Speed:	60 m/s
Snow Load:	1.4 KN/m ²
Material:	S350GD
Foundation:	Ramming Pile



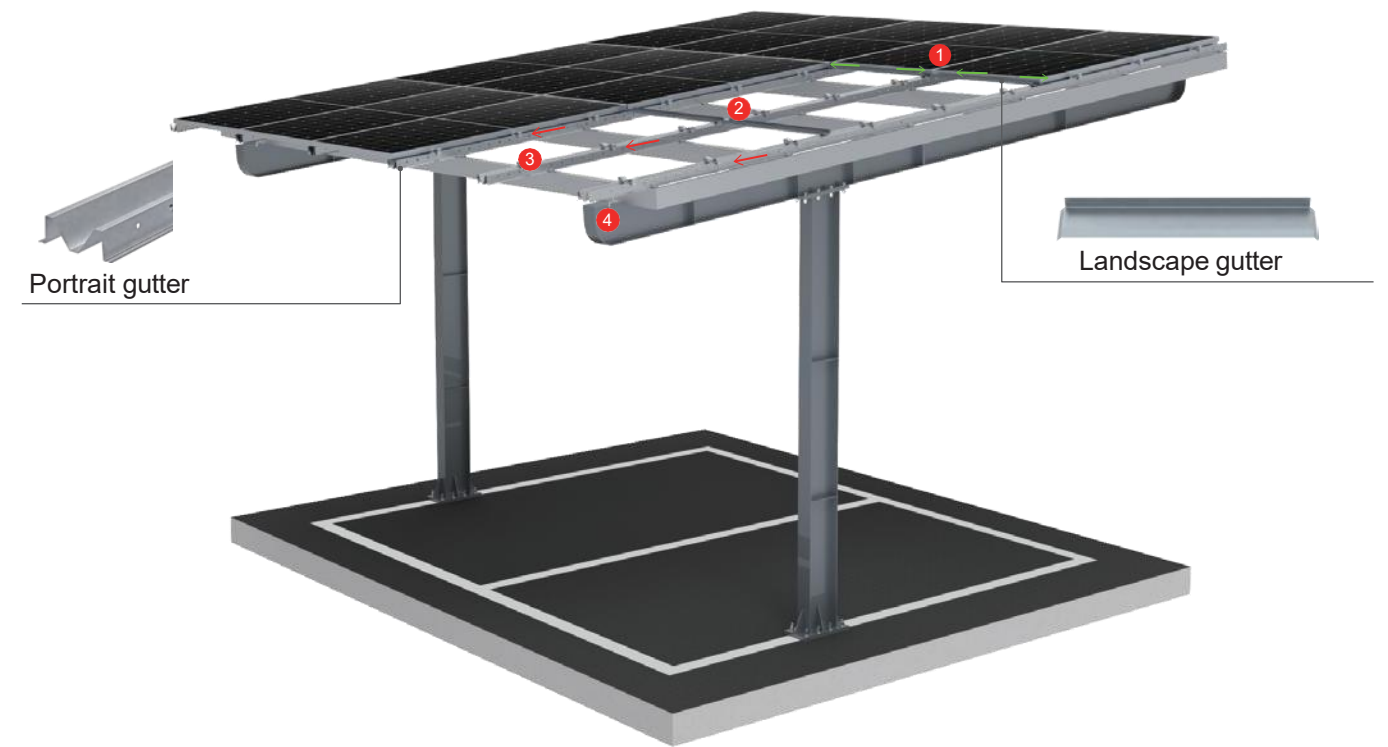
<p>End Clamp Material : AL6005-T5 Surface Finish : Anodized</p> 	<p>Mid Clamp Material : AL6005-T5 Surface Finish : Anodized</p> 	<p>Rail Clamp Material : Q235B Surface Finish : HDG</p> 	<p>Rail Material : S350GD Surface Finish : ZM275</p> 
<p>Rail Splice Material : S350GD Surface Finish : ZM275</p> 	<p>Beam Material : S350GD Surface Finish : ZM275</p> 	<p>Pile Material : S350GD Surface Finish : ZM275</p> 	<p>Tilt Support Material : S350GD Surface Finish : ZM275</p> 



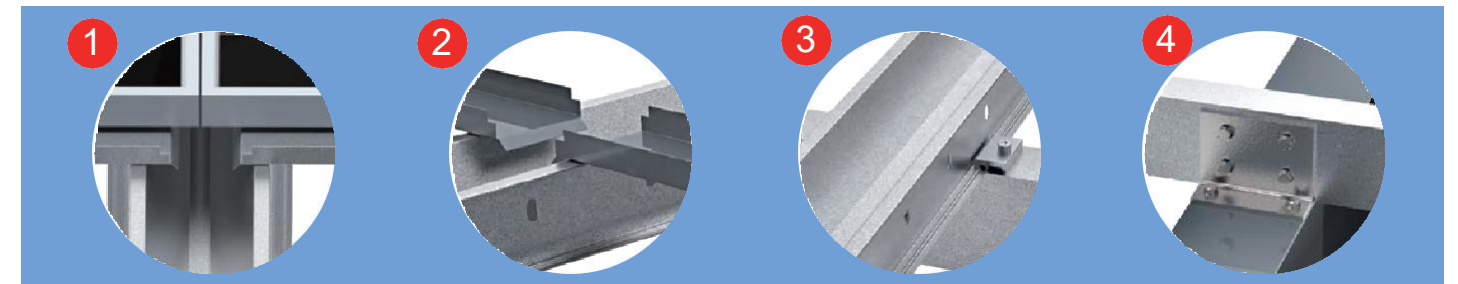
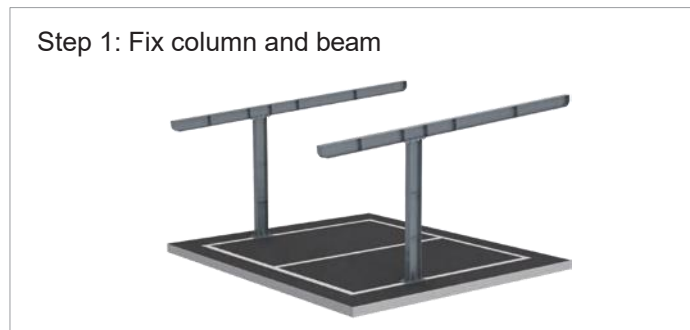
Commercial Steel Solar Carport



ZJZB's Commercial Steel Carport is designed for convenience and durability. Its single-row rear column design allows easy access for parking from the front and sides, maximizing space efficiency. Constructed with high-strength steel and a baked paint surface finish, it ensures both durability and a sleek look. The integrated drainage system provides reliable waterproof protection. Easy to install and designed for large commercial and industrial parking lots.



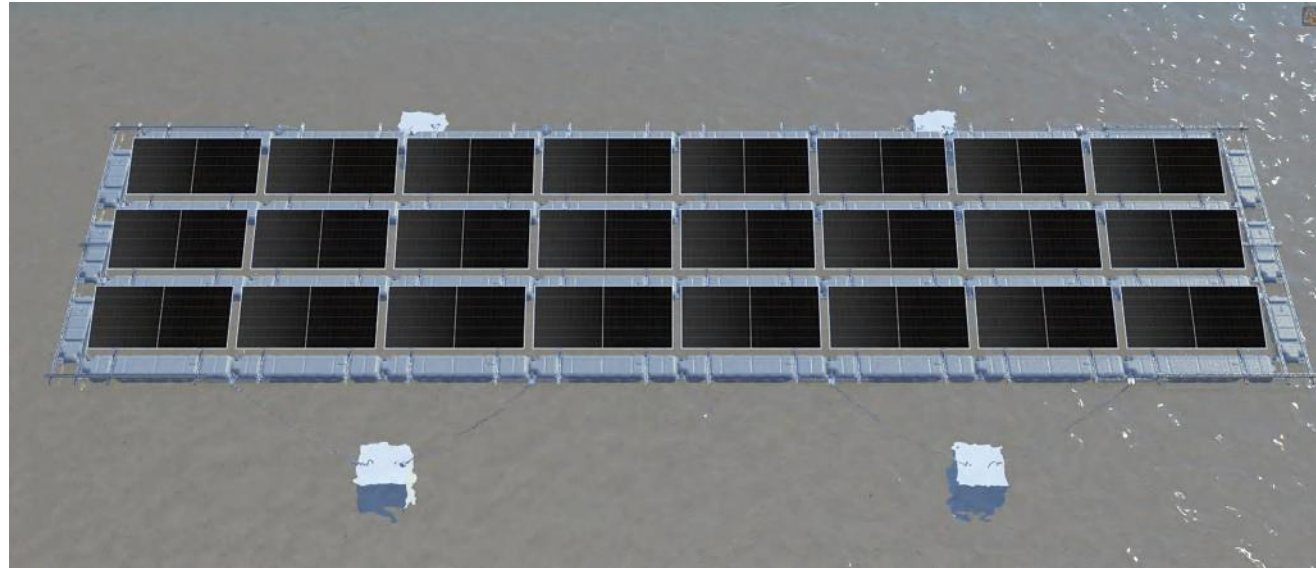
Technical Features:	
Installation Site:	Open Filed
Solar Panel Tilt Angle:	5-15 degree
Max Wind Speed:	60 m/s
Snow Load:	2 KN/m2
Material:	Q235B/Q355B/S350GD
Foundation:	Concrete block



<p>End Clamp Material : AL6005-T5 Surface Finish : Anodized</p>	<p>Mid Clamp Material : AL6005-T5 Surface Finish : Anodized</p>	<p>Rail Clamp Material : AL6005-T5 Surface Finish : Anodized</p>	<p>Landscape Gutter Material : S350GD Surface Finish : ZM275</p>
<p>Portrait Gutter Material : S350GD Surface Finish : ZM275</p>	<p>Rail Material : S350GD Surface Finish : ZM275</p>	<p>Beam Material : Q235B Surface Finish : HDG</p>	<p>Column Material : Q235B Surface Finish : HDG</p>

Floating Solar Mounting System

Floating Solar Mounting refers to a solar mounting system designed for installation on water surfaces, such as small lakes or reservoirs. This innovative solution addresses the issue of large land areas typically required by traditional mounting systems and can make full use of various idle water surfaces. The floating mounting system is composed of solar modules, a combiner box, an inverter, a floating structure, and other essential components.



Panel Clamp

Material : AL6005-T5
Surface Finish : Anodized



Front Base

Material : AL6005-T5
Surface Finish : Anodized



Rear Base

Material : AL6005-T5
Surface Finish : Anodized



Walkway Floater

Material : HPDE



Main Floater

Material : HPDE



Bolt Set

Material : HPDE



Brief Introduction:

Installation site: Lake, reservoir
Tilt angle: 10 or 15 degree
Module type: Framed or framedless modules
Panel orientation: Landscape
Material: HDPE



Connector

Material : HPED



Rail

Material : S350GD
Surface Finish : ZM275



Anchor Connector

Material : Q235B
Surface Finish : HDG



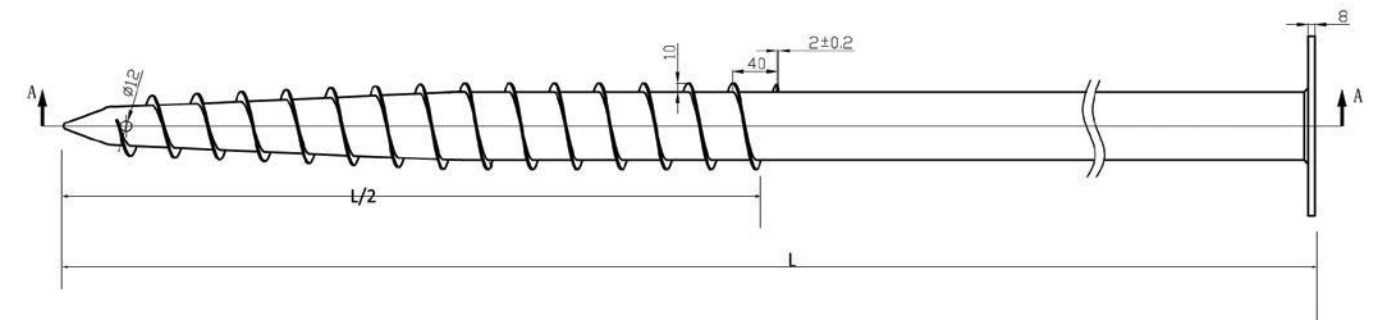
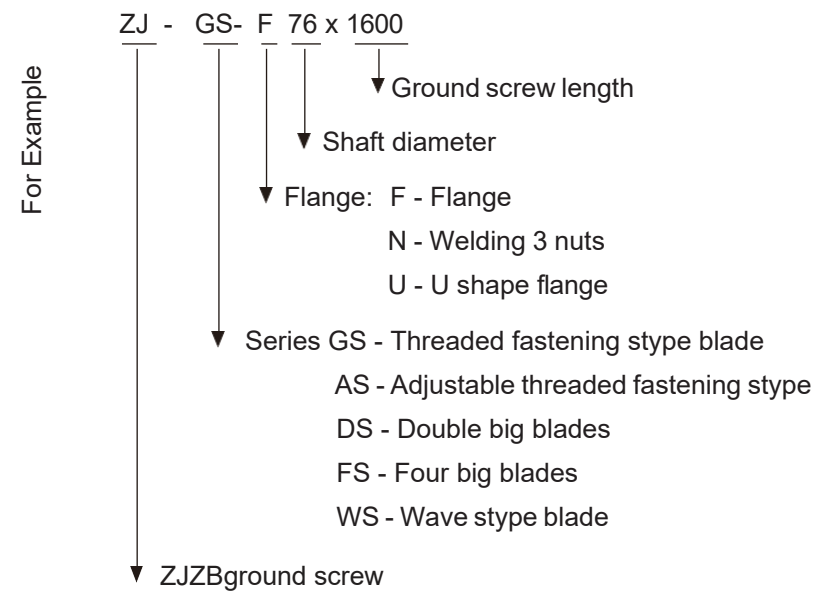
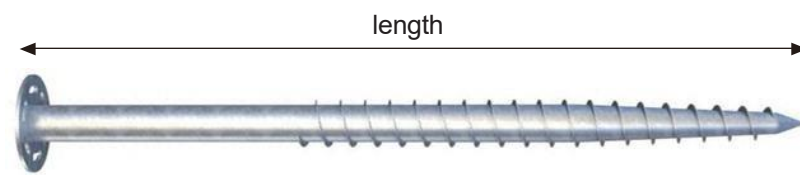
Key Features:

1. The modular design ensures easy and convenient installation.
2. The floater is made from HDPE, guaranteeing a long service life.
3. Excellent weather resistance, with simple operation and maintenance.
4. Cools solar modules, boosting power generation by 10%-15%.
5. Reduces the need for land resources.
6. Decreases water evaporation, conserving valuable water resources.

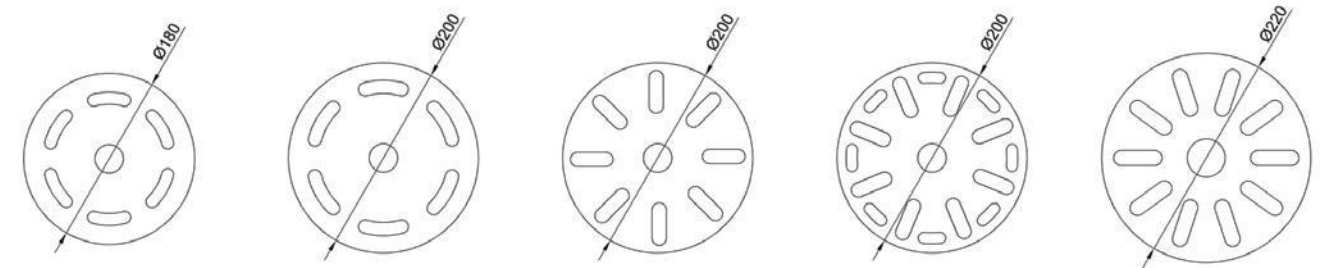
Ground Screw

ZJZB offers ground screws both with and without flanges, and we have developed a diverse range of series to cater to various applications. Ground screws are not limited to solar panel systems; they are widely used across the globe, even on dense and tarred surfaces. Their applications are virtually limitless, ranging from securing garden umbrellas, fences, and carports to supporting flag poles, traffic signs, and advertising boards. Additionally, they are ideal for temporary outdoor structures at events and expositions due to their quick and easy installation and removal.

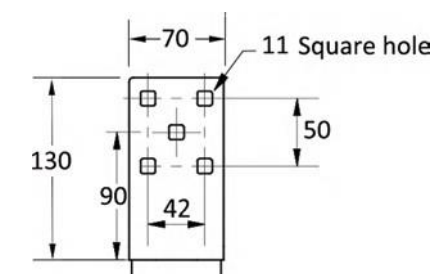
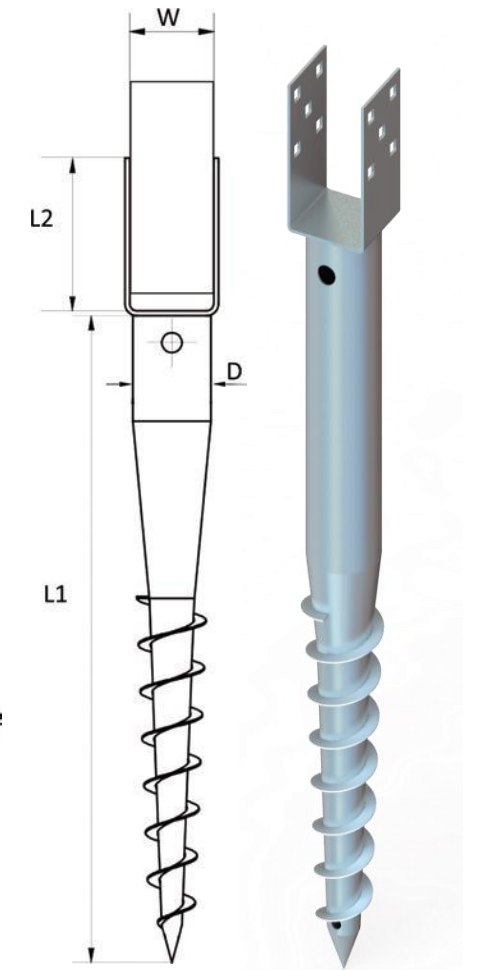
Material: Q235
 Surface: hot dip galvanized
 Length: 600-4000mm
 Shaft Diameter: 48-89mm



Flange as follow are all available.



	D	L1	L2	W
ZJ-GS-U60x550-71	60mm	550mm	130mm	71mm
ZJ-GS-U60x550-91	60mm	550mm	130mm	91mm
ZJ-GS-U60x730-71	60mm	730mm	130mm	71mm
ZJ-GS-U60x730-91	60mm	730mm	130mm	91mm
ZJ-GS-U60x865-71	60mm	865mm	130mm	71mm
ZJ-GS-U60x865-91	60mm	865mm	130mm	91mm



Solar Walkway System

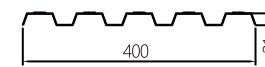


ZJZB Rooftop Walkway System is designed for safe and efficient solar panel maintenance. Built with durability and safety in mind, the walkway is made of high quality Zinc-Aluminum-Magnesium coated steel. This system offers a variety of installation options to suit different steel roof types. It provides easy access for regular panel inspections and clean-ups, enhancing the performance and longevity of your solar system installation and removal.



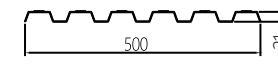
Item NO. : ZJ-ZMAW-400

Material: S350GD + ZM275
 Thickness: 0.8mm
 Width: 400mm
 Length: Customized



Item NO. : ZJ-ZMAW-500

Material: S350GD + ZM275
 Thickness: 0.8mm
 Width: 500mm
 Length: Customized



Item NO. : ZJ-WR-1

Material: AL6005-T5
 Length: 450/600mm
 Surface Finish: Silver anodized

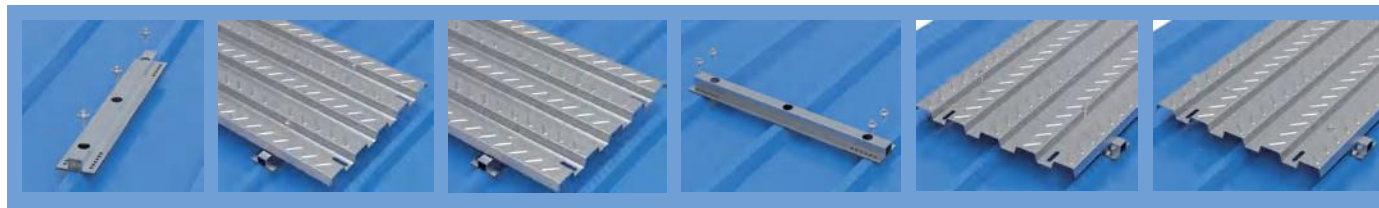


Item NO. : ZJ-WR-2

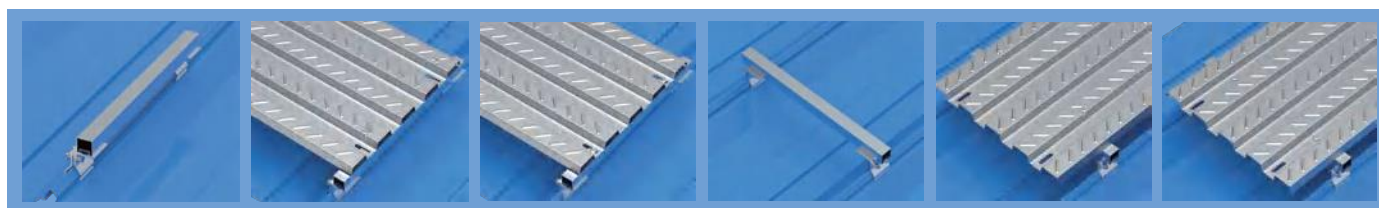
Material: AL6005-T5
 Length: 450/600mm
 Surface Finish: Silver anodized



Installation solution without roof clamps



Installation solution with roof clamps



Products Reference



Metal roof mounting in Sri Lanka



Mini rail mounting in Romania



Aluminum ground mounting in Japan



Steel ground mounting in Bulgaria



Ballasted mounting in Hungary



Ballasted mounting in China



Aluminum ground mounting in Austria



Steel ground mounting in Japan



Ballasted mounting in Netherlands



Ballasted mounting in Germany



Aluminum solar carport in Italy



Steel solar carport in Oman